

Barudan

HIGH SPEED AUTOMATIC EMBROIDERY MACHINE

MODEL

BEMRME-YS
BEMSME-YS
BEMXME-YS

PARTS LIST

BARUDAN CO., LTD.

ADDRESS 906 JOSUJI
ICHINOMIYA-CITY · AICHI-PREF ·
JAPAN

TEL. <0586>76-1137
FAX. <0586>77-1499
TELEX 4573268 BARUNA J
CABLE BARUNA ICHINOMIYA

B E M R M E - Y S • B E M S M E - Y S B E M X M E - Y S HIGH SPEED AUTOMATIC EMBROIDERY MACHINE PARTS LIST

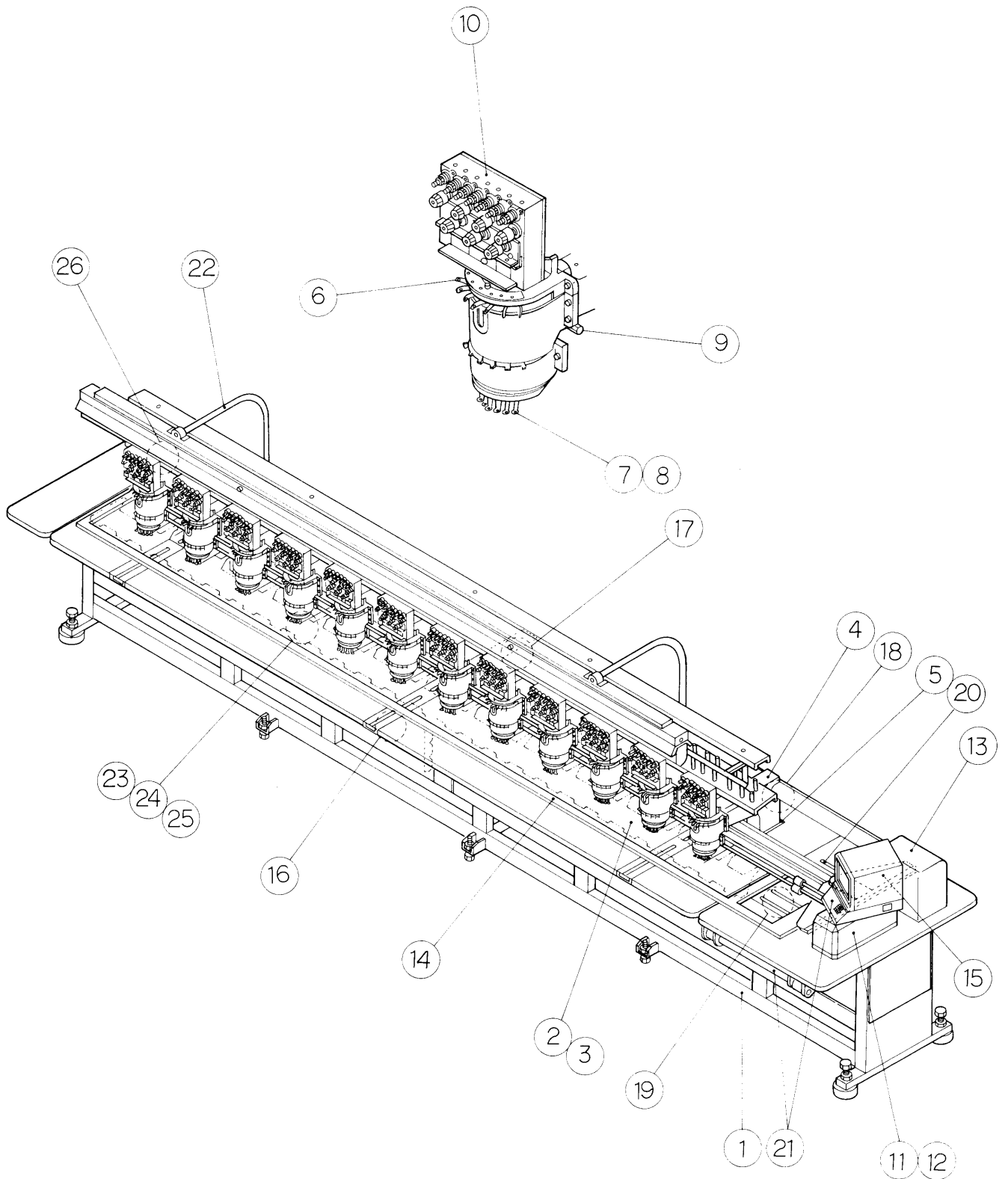
CONTENTS

ITEM No.	Page No.
Machine layout (BEMRME-YS BEMSME-YS BEMXME-YS)	1
① Table • Frame	2
② Table lifter mechanism I	4
③ Table lifter mechanism II	6
④ Sewing head a'ssy	8
⑤ Bed a'ssy	10
⑥ Take up lever mechanism	12
⑦ Needle bar mechanism I	14
⑧ Needle bar mechanism II	16
⑨ Jump mechanism	18
⑩ Thread guide mechanism	20
⑪ Color change mechanism I	22
⑫ Color change mechanism II	24
⑬ Drive mechanism	26
⑭ Pantograph drive mechanism I (Pantograph, Cover)	28
⑮ Pantograph drive mechanism II (T-Pantograph relation)	30
⑯ Pantograph drive mechanism III (H-Direction, Front)	32
⑰ Pantograph drive mechanism IV (H-Direction, Rear I)	34
⑱ Pantograph drive mechanism V (H-Direction, Rear II)	36
⑲ Pantograph drive mechanism VI (V-Direction, Front)	38
⑳ Pantograph drive mechanism VII (V-Direction, Rear)	40
㉑ Control system <BEMRME-YS>	42
㉒ Control system <BEMSME-YS>	44
㉓ Control system <BEMXME-YS>	46
㉔ Option	48
㉕ Automatic thread cutting mechanism I (Thread cutting section)	50
㉖ Automatic thread cutting mechanism II (Thread away section)	52
㉗ Automatic thread cutting mechanism III (Thread support section)	54
㉘ Automatic thread cutting mechanism IV (Drive mechanism)	56
㉙ Thread guide mechanism (Lower thread sensorium)	58
INDEX	60

Barudan

Machine layout

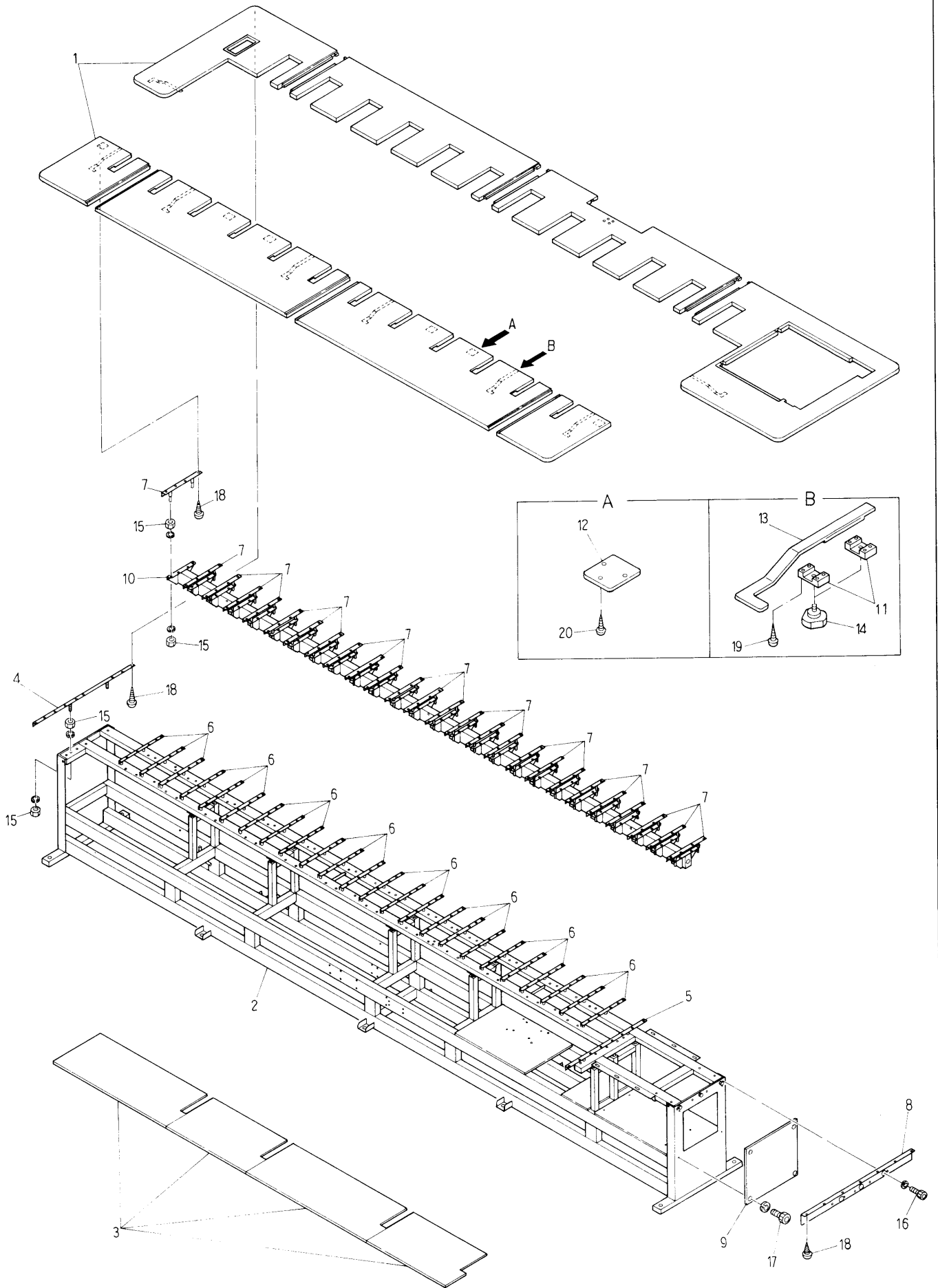
BEMRME-YS
BEMSME-YS
BEMXME-YS



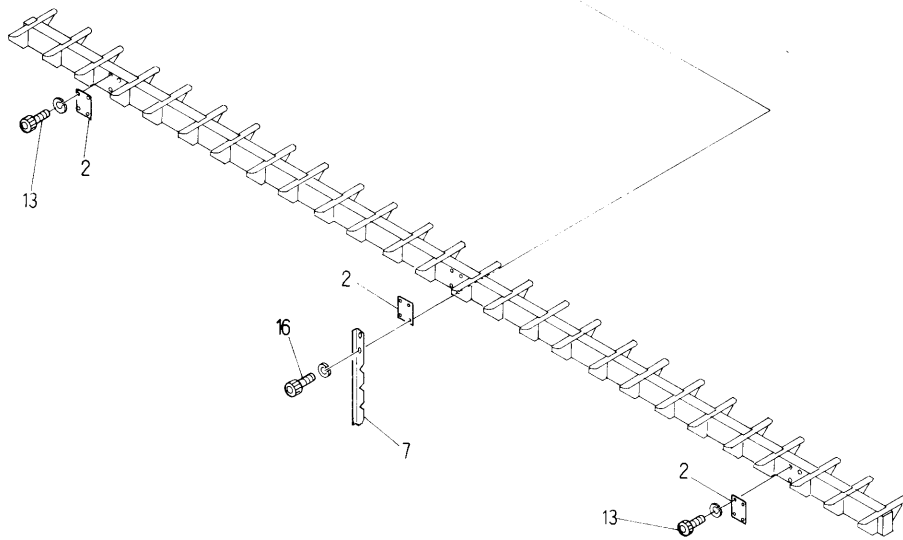
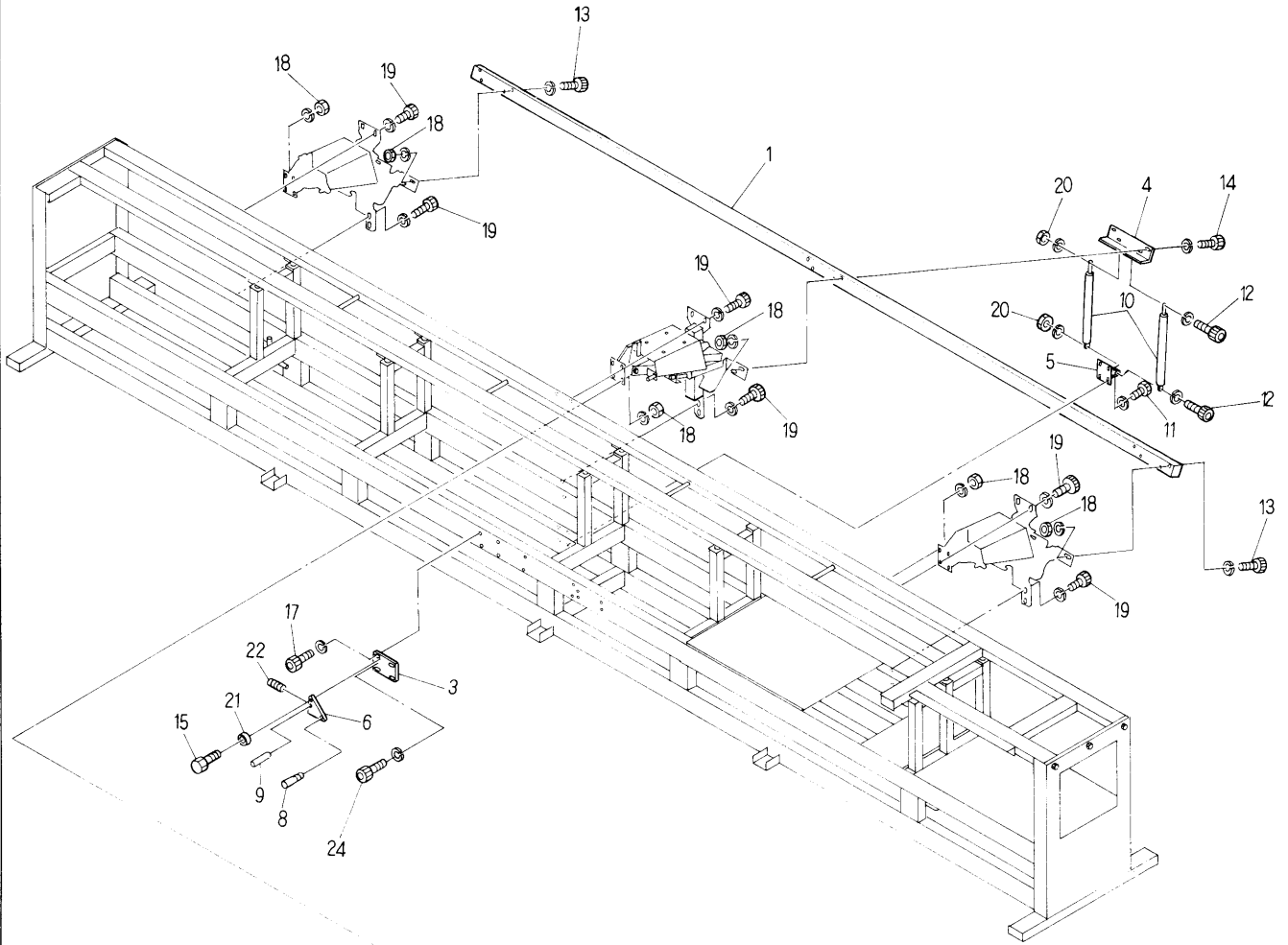
From the library of: Diamond Needle Corp

MODEL

BEMRME-YS
BEMSME-YS
BEMXME-YS



MODEL
BEMRME-YS
BEMSME-YS
BEMXME-YS

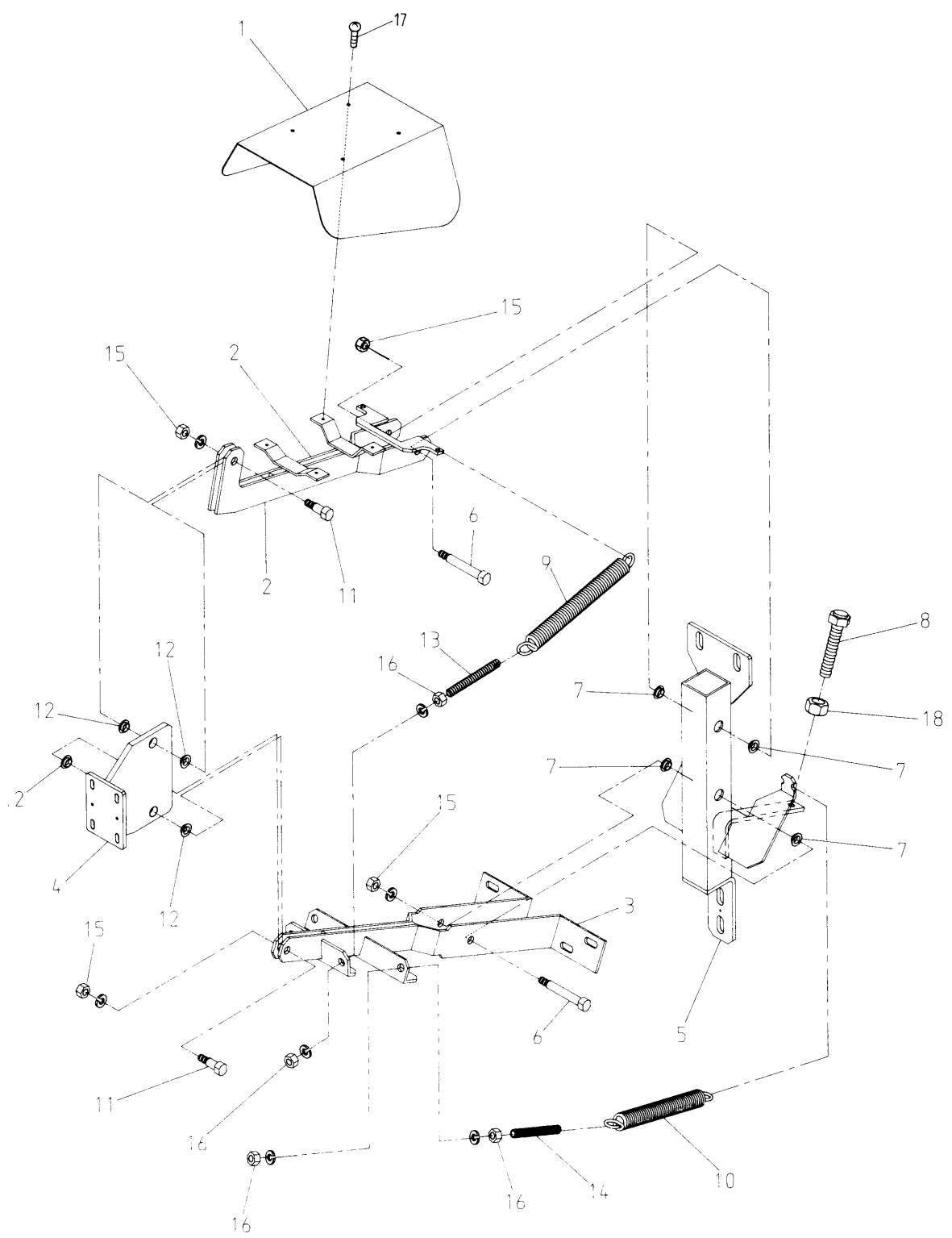


MODEL

BEMRME-YS
BEMSME-YS
BEMXME-YS

②Table lifter mechanism I

ITEM	LIST No	DESCRIPTION	Q'TY	REMARK
1	KK140120	Table guide (Rear) (BEMSME-12 320×380/480)	1	
2	KK140050	Presser plate	3	
3	KK140111	Catch plate	1	
4	KK140220	Cylinder bracket (Upper)	1	
5	KK140210	Cylinder bracket (Lower)	1	
6	KK140281	Lock plate	1	
7	KK140201	Catch lever	1	
8	A9012266	Taper rotation grip (NP-10)	1	
9	KK140291	Lock shaft	1	
10	KK140350	Cylinder damper	2	
11		Hex, socket bolt M6×20		
12		Hex, socket bolt M5×65		
13		Hex, socket bolt M8×70		
14		Hex, socket bolt M8×80		
15		Hex, bolt M10		
16		Hex, socket bolt M8×75		
17		Hex, socket bolt M6×70		
18		Hex, nut M8		
19		Hex, socket bolt M10×25		
20		Hex, nut M5		
21	KK140370	Lock plate collar	1	
22		Hex, socket set screw M6×6		

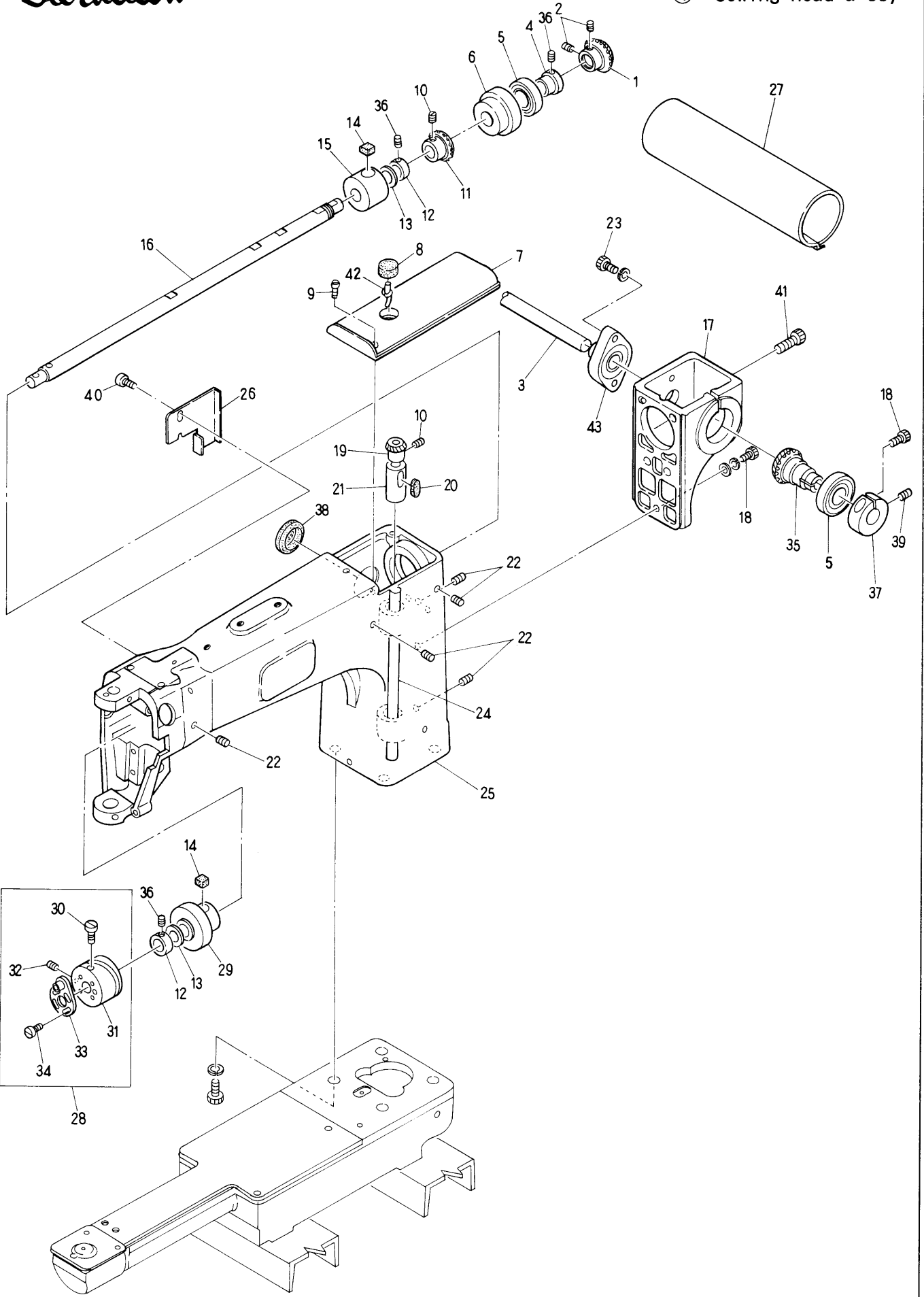


From the library of: Diamond Needle Corp

MODEL
BEMRME-YS
BEMSME-YS
BEMXME-YS

Barudan

④ Sewing head a'ssy



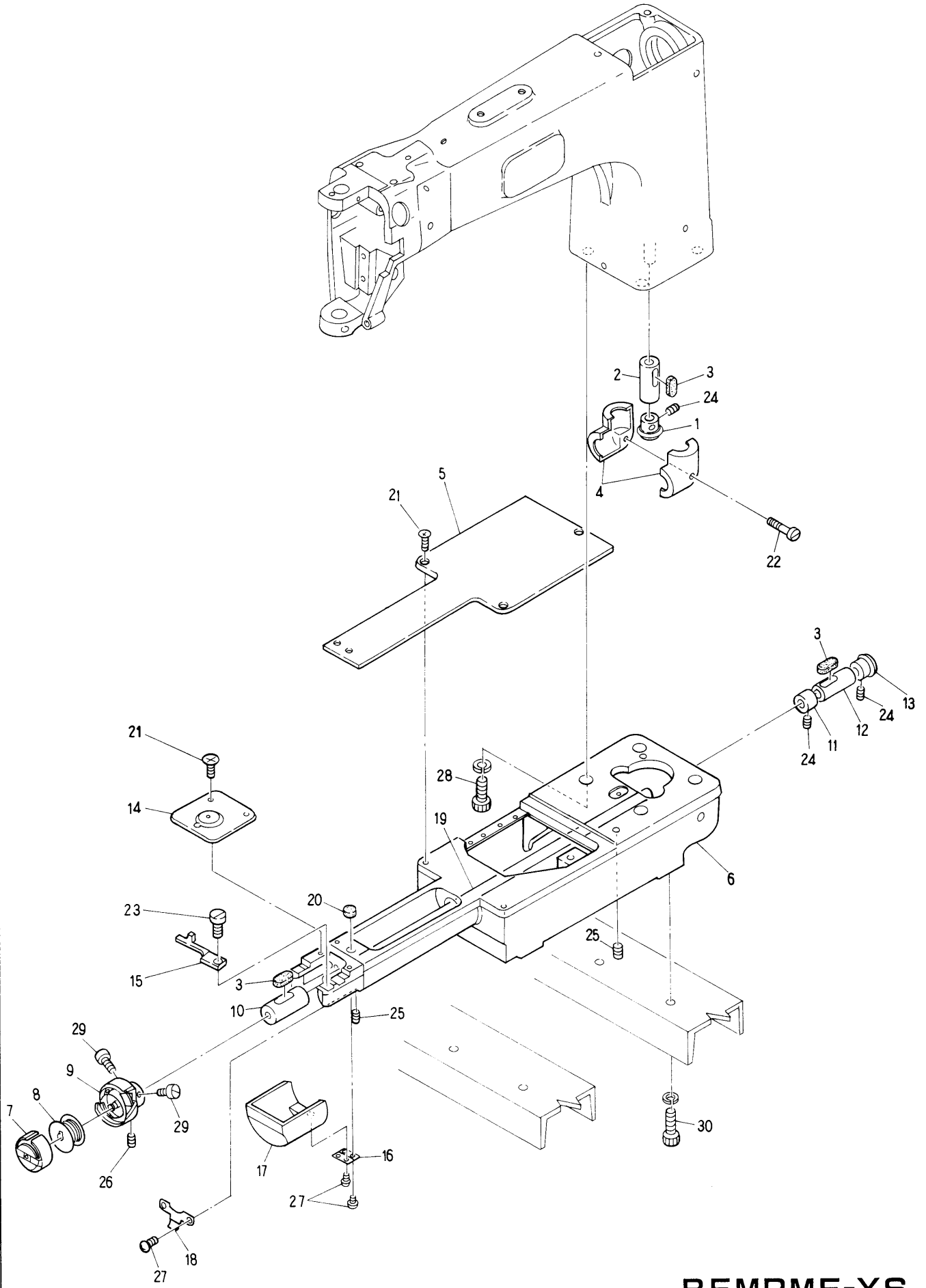
From the library of: Diamond Needle Corp

MODEL BEMRME-YS
BEMSME-YS
BEMXME-YS

④ Sewing head a' ssy

(H=Head Q' TY)

ITEM	LIST No.	DESCRIPTION	Q'TY	REMARK
1	KL220100	Top Shaft (Spiral bevel M1.5-25R)	1/H	
2		Hex, socket set screw M6×6 (With adhesion)	2/H	
3		Top shaft connecting shaft φ15		
4	KL220090	Top shaft bearing collar (Rear)	1/H	
5	A9010017	Bearing (6004ZZ)	2/H	
6	KL220040	Top shaft bearing case (Rear)	1/H	
7	KL250040	Arm top cover	1/H	
8	KL220150	Oil felt D	1/H	
9		Truss screw M4×10		
10		Screw (SM1/4 40×4)		
11	KF220130	Bevel gear (Top shaft)	1/H	
12	KL220080	Top shaft collar	2/H	
13	HP231390	Thrust washer (Top shaft gear)	2/H	
14	KL220130	Oil felt B	2/H	
15	KL220030	Top felt metal (Middle)	1/H	
16	KL220000	Top shaft	1/H	
17	KL210140	Arm gear case	1/H	
18		Hex, socket bolt M6×25		
19	KF220460	Bevel gear (Vertical shaft upper)	1/H	
20	KL220140	Oil felt C	1/H	
21	KL220050	Vertical metal (Upper)	1/H	
22		Hex, socket screw M6×8		
23		Hex, socket bolt M6×30		
24	KL220010	Vertical shaft	1/H	
25	KB210160	Arm	1/H	
26	KL250051	Arm side cable cover	1/H	
27	1PKD12380480	Connecting shaft cover set MSE-12 380/480	1 SET	
28	KB230010	Take up lever cam K 690° with crank	1/H	
29	KL220020	Top shaft metal (Front)	1/H	
30	KF230420	Take up lever cam set screw	1/H	
31	KB230030	Take up lever cam K6	1/H	
32		Screw (SM15/64 28×10) (With adhesion)	1/H	
33	KB230050	90° Crank	1/H	
34	A9012007	Screw (SM11/64 40×10)	1/H	
35	KL320000	Connecting gear (Spiral bevel M1.5-25L)	1/H	
36		Hex, socket set screw M6×6		
37	KL320020	Connecting gear clamp φ19	1/H	
38	A9014063	Grommet C-30-SG-36A	1/H	
39		Hex, socket set screw M6×10		
40		Truss screw M4×8		
41		Hex, socket bolt M6×60		
42	KC251330	Oil core L=75	1/H	



From the library of: Diamond Needle Corp

MODEL
BEMRME-YS
BEMSME-YS
BEMXME-YS

⑤ Bed a' ssy

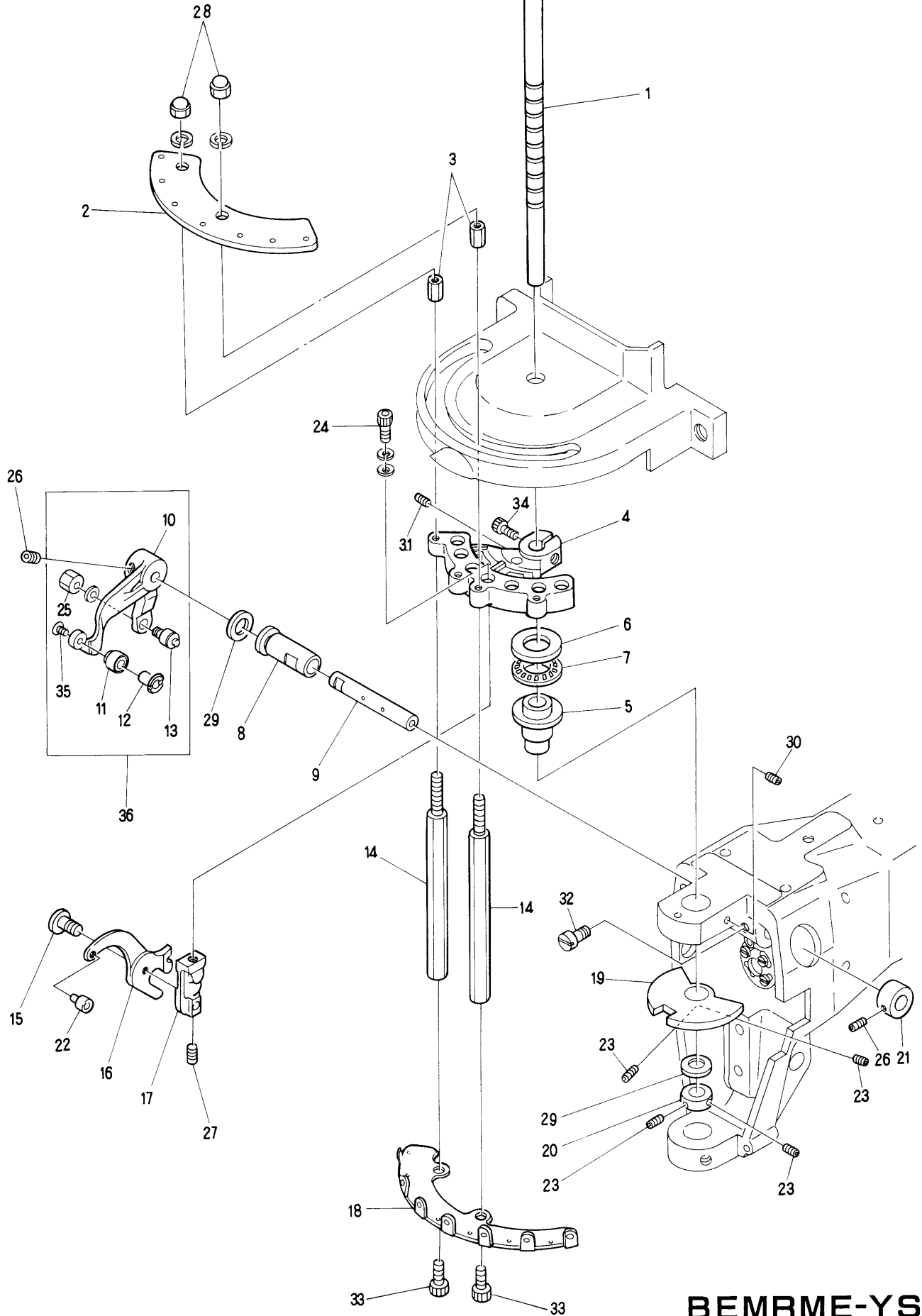
(H=Head Q' TY)

ITEM	LIST No.	DESCRIPTION	Q'TY	REMARK
1	KF220470	Bevel gear (Vertical shaft lower)	1/H	
2	KL220060	Vertical shaft metal (Lower)	1/H	
3	KL220140	Oil felt C	3/H	
4	KF220271	Gear cover set	1/H	
5	KL250071	Cylinder bed cover	1/H	
6	KL210113	Bed (SRE-T)	1/H	
7	KF220440	Bobbing case (SC-35-NS)	1/H	
8	KF220410	Bobbin	1/H	
9	KF220750	Rotating hook complete	1/H	
10	KF220230	Bottom shaft metal (Front)	1/H	
11	KF220290	Bottom shaft collar	1/H	
12	KL220070	Bottom shaft metal (Rear)	1/H	
13	KF220480	Bevel gear (Bottom shaft)	1/H	
14	MA250131	Needle plate	1/H	
15	KC220650	Rotating hook bobbin case holder	1/H	
16	A9012027	Butterfly nut (TH-TM-72)	1/H	
17	KC250471	Barrel bed cover	1/H	
18	KC250482	Barrel bed cover push spring	1/H	
19	KC220210	Bottom shaft	1/H	
20	KL220120	Oil felt A	1/H	
21	KF250900	Needle plate set screw (SM11/64 140×7)	6/H	
22		Screw M5×25	1/H	
23	A9012007	Screw (SM11/64 40×10)	1/H	
24		Screw (SM 1/4 40×4)		
25		Hex. socket set screw M6×8		
26		Screw (SM11/65 40×4)		
27		Pan screw M3×6		
28		Hex. socket bolt M12×35		
29		Screw (SM11/65 40×5)		
30		Hex. socket bolt M8×20		

From the library of: Diamond Needle Corp

Barudan

⑥ Take up lever mechanism



MODEL

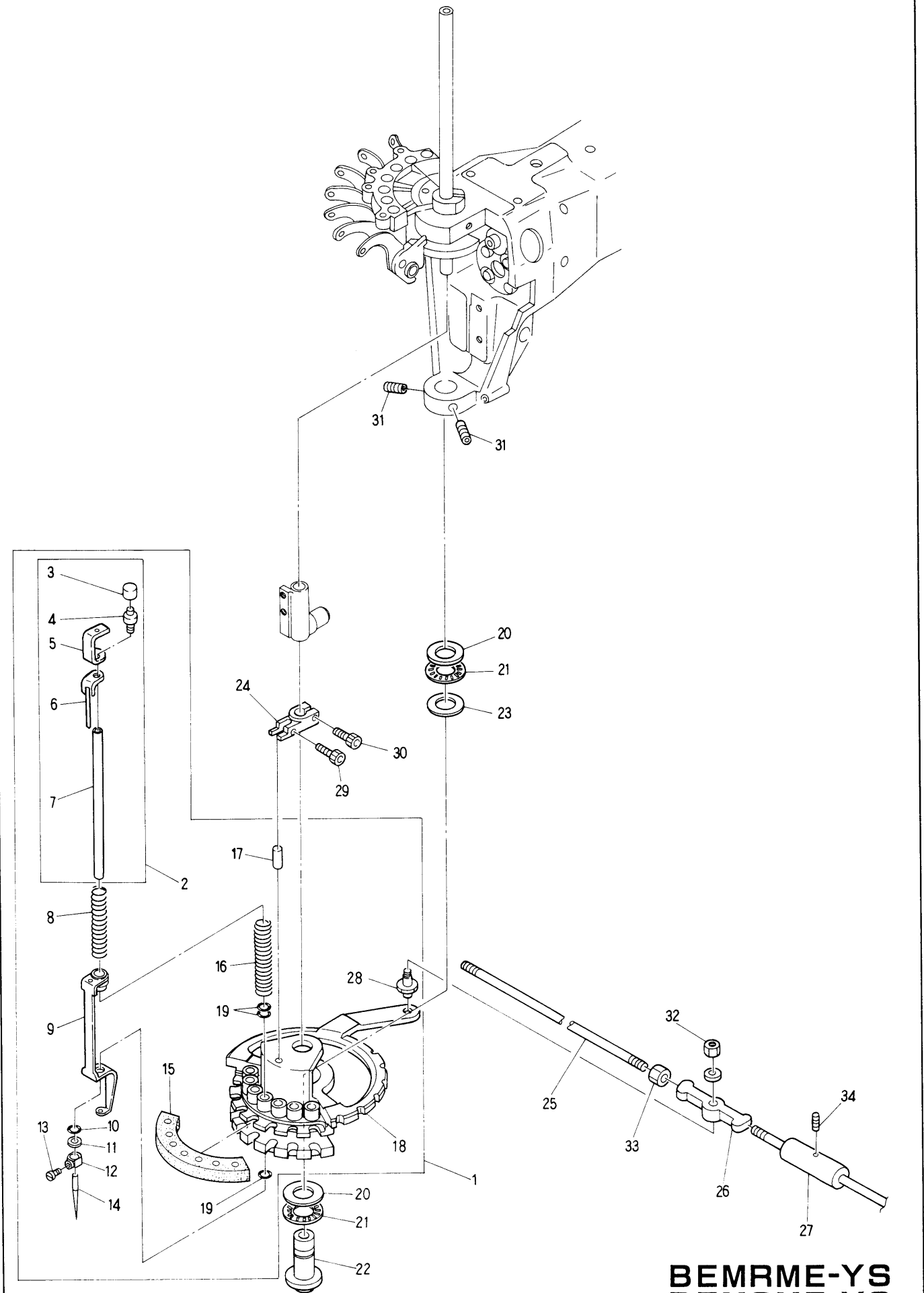
BEMRME-YS
BEMSME-YS
BEMXME-YS

⑥Take up lever mechanism

(H=head Q'TY)

ITEM	LIST No	DESCRIPTION	Q'TY	REMARK
1	KB230161	Driving shaft	1/H	
2	HB240180	Thread guide plate (7)	1/H	YS
	HB240290	Thread guide plate (5)	1/H	YF
3	KB240021	Thread guide fixing collar	2/H	
4	HB230291	Take up lever fixing bracket	1/H	
5	KB230090	Driver shaft upper metal	1/H	
6	A9011152	Thrust needle bearing innerring (WS1528)	1/H	
7	A9011021	Thrust bearing NTB-1528	1/H	
8	KB230100	Take up lever driving shaft metal	1/H	
9	KB230110	Take up lever driving shaft	1/H	
10	KB230120	Take up lever driving lever	1/H	
11	HB230320	Take up lever driving roller	1/H	
12	HB230331	Take up lever driving roller shaft	1/H	
13	KF230500	Take up lever roller a'ssy	1/H	
14	KB240010	Thread guide fixing rod	2/H	
15	HB230310	Take up lever shaft	1/H	
16	KB230320	Take up lever a'ssy (Multi)		YS...7/H YF...5/H
17	KB230141	Take up lever base		YS...7/H YF...5/H
18	HB240171	Thread hanger (7)	1/H	YS
	HB240280	Thread hanger (5)	1/H	YF
19	KB230130	Take up lever sttocker	1/H	
20	HB230160	Driving shaft set collar	1/H	
21	HB230270	Needle bar driving lever fixing pin set collar	1/H	
22	HB230750	Take up lever thread eyelet ceramic		YS...7/H YF...5/H
23		Hex, socket set screw M4×4 (With adhesion)	2/H	
24		Hex, nut M4×12		
25		Hex, socket SM7/32		
26		Hex, socket set screw M5×6 (With adhesion)	2/H	
27		Hex, socket set screw M3×5 (With adhesion)		YS...7/H YF...5/H
28		Cap nut M4		
29	A9012164	Thrust washer (R-TW0815)	2/H	
30		Hex, socket set screw M6×6		
31		Hex, socket set screw M4×5 (C,P)		
32		Screw (SM11/64×11)		
33		Hex, socket bolt M4×8		
34		Hex, socket bolt M4×15		
35	HB230650	Flush screw (With adhesion)	1/H	
36	KB230310	Take up lever drive lever a'ssy	1/H	

From the library of: Diamond Needle Corp



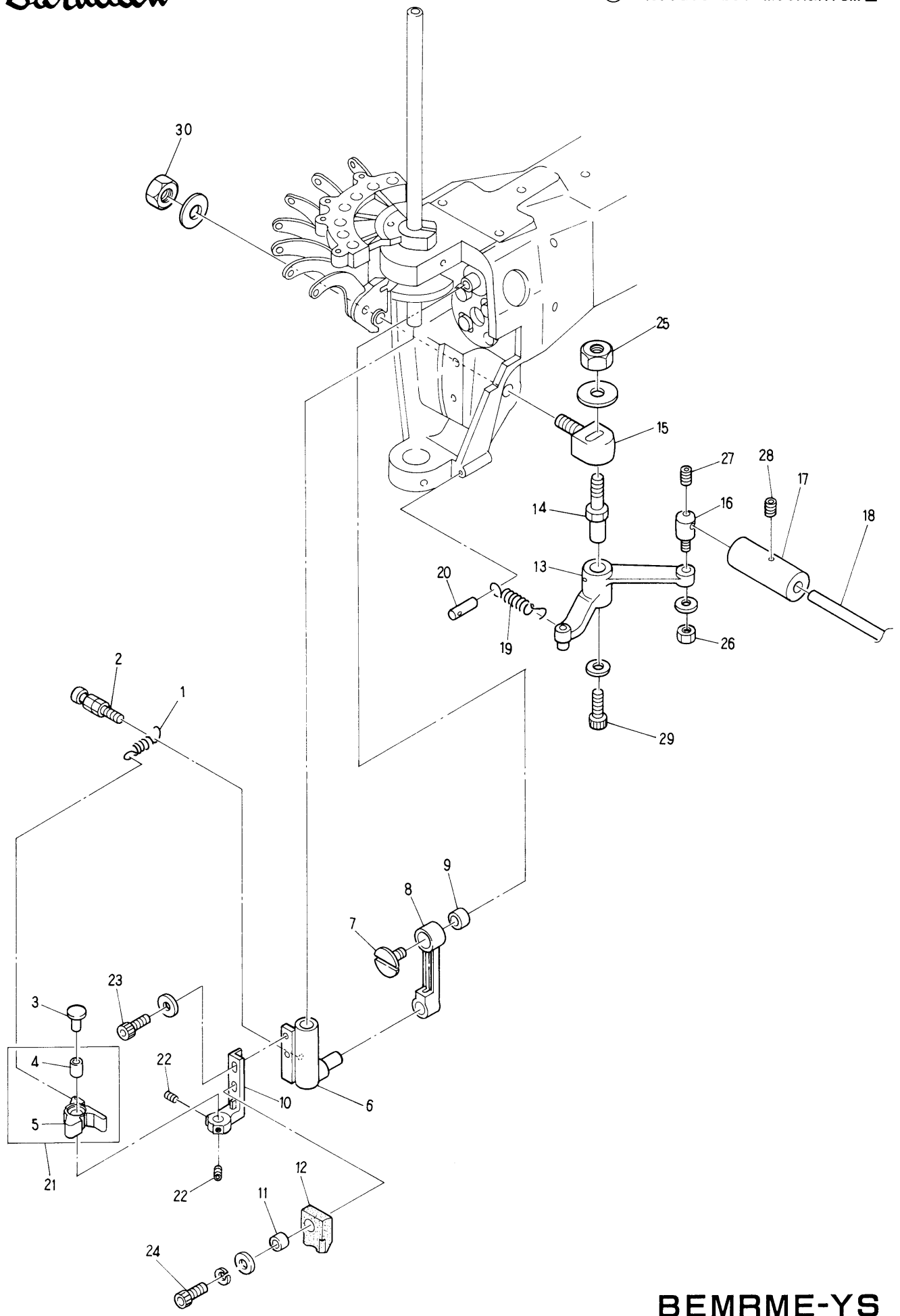
MODEL
BEMRME-YS
BEMSME-YS
BEMXME-YS

⑦Needle bar mechanism I

(H=Head Q' TY)

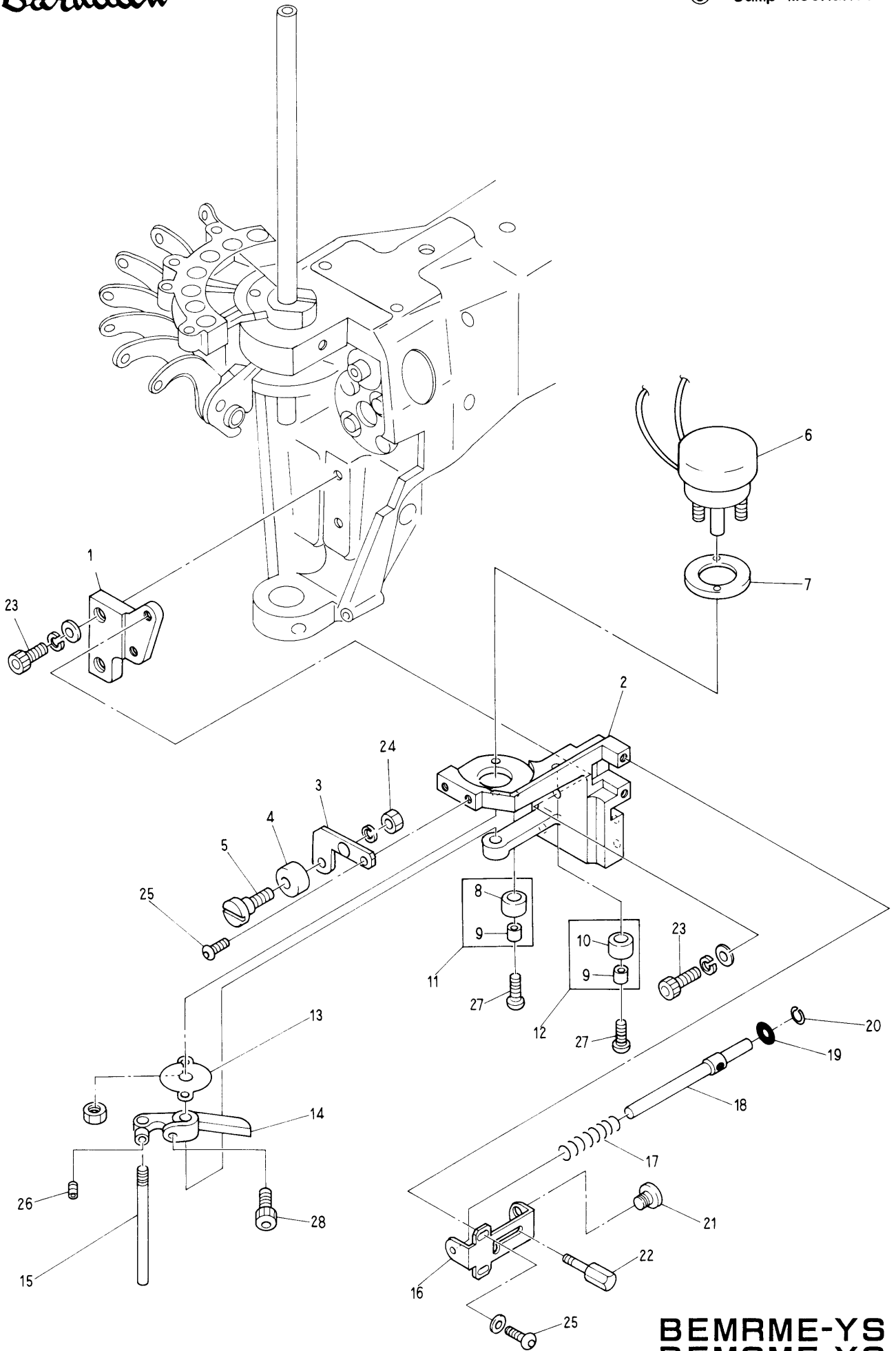
ITEM	LIST No.	DESCRIPTION	Q'TY	REMARK
1	HB230601	Turret plate a'ssy (YS)	1/H	YS
	HB230611	Turret plate a'ssy (YF)	1/H	YF
2	HB230502	Needle bar a'ssy		YS...7/H YF...5/H
3	KN231350	Needle bar cap		YS...7/H YF...5/H
4	HB230531	Needle bar guide fixing screw		YS...7/H YF...5/H
5	HB230770	Plate		YS...7/H YF...5/H
6	HB230780	Needle bar guide		YS...7/H YF...5/H
7	HB230512	Needle bar		YS...7/H YF...5/H
8	HB230820	Needle bar spring (Upper)		YS...7/H YF...5/H
9	KG230020	Pressure foot		YS...7/H YF...5/H
10	KF230920	O-Ring (L)		YS...7/H YF...5/H
11	KF230930	Spacer		YS...7/H YF...5/H
12	KF230230	Needle clamp		YS...7/H YF...5/H
13	KF230240	Needle clamp screw (SM9/64 40)		YS...7/H YF...5/H
14	KF230250	Needle (DBK5-11)		YS...7/H YF...5/H
15	KL230111	Turret plate oil pad	1/H	
16	HB230720	Needle bar spring (Lower)		YS...7/H YF...5/H
17	A9012291	Parallel pin $\phi 5 \times 14 \ell$	1/H	
18	HB230431	Turret plate (7)	1/H	YS
	HB230441	Turret plate (5)	1/H	YF
19	KF230910	O-Ring (S)		YS...21/H YF...15/H
20	A9011023	Thrust bearing outer (GS1528)	2/H	
21	A9011021	Thrust bearing (NTB-1528)	2/H	
22	HB230140	Driver shaft under metal	1/H	
23	A9011022	Thrust washer (AS-1528)	1/H	
24	HB230170	Driver shaft set plate	1/H	
25	KC330310380	Thrret plate connecting L=330		
26	A9012005	Uniball joint (RD4-020N)		
	A9012003	Uniball joint (RD4-020L)	1	Final head
27	KF330381	Lock bar hand grip	1	
28	HB230550	Turret plate joint pin	1/H	
29		Hex, socket bolt M3×12 (With adhesion)	1/H	
30		Hex, socket bolt M4×12		
31	A9012053	Hex, socket set screw M6×0.75×8	2/H	
32		Hex, nut M4		
33		Hex, nut M5		
34		Hex, socket set screw M5×5		

From the library of: Diamond Needle Corp



From the library of: Diamond Needle Corp

MODEL BEMRME-YS
BEMSME-YS
BEMXME-YS



BEMRME-YS
BEMSME-YS
BEMXME-YS

MODEL

⑨ Jump mechanism

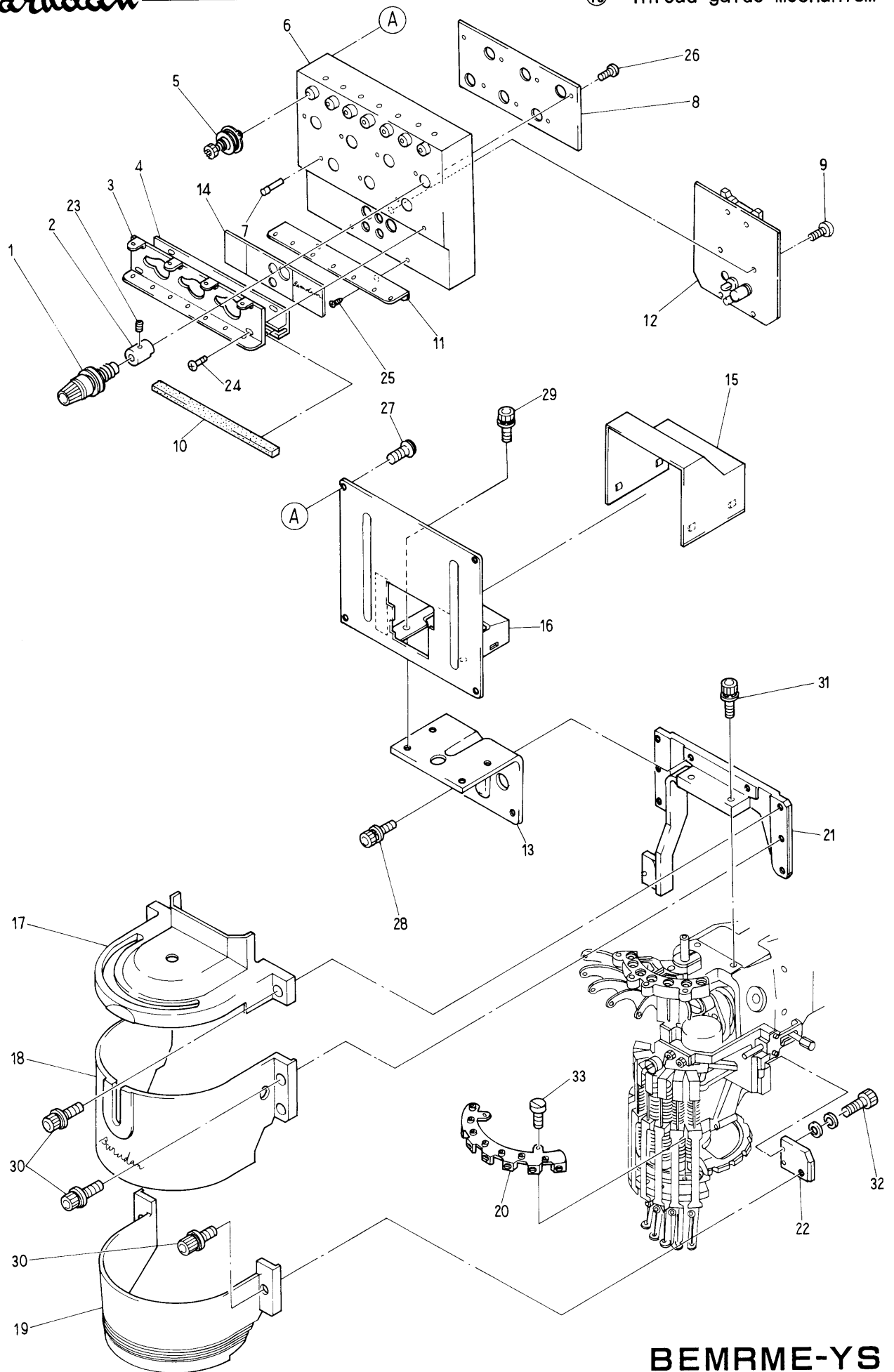
(H=Head Q'TY)

ITEM	LIST No.	DESCRIPTION	Q'TY	REMARK
1	KB 2 1 0 1 7 0	Solenoid bracket fixing base	1/H	
2	KB 2 4 0 0 3 0	Jump solenoid fixing bracket	1/H	
3	KB 2 3 0 1 7 0	Needle bar stopper fixed bracket	1/H	
4	HB 2 3 0 4 7 0	Needle bar stopper	1/H	
5	HB 2 3 0 4 6 0	Needle bar stopper fixed pin	1/H	
6	A 9 0 5 6 0 2 0	Rotary solenoid (3ER35×3×8×9, L=45)	1/H	
7	HB 2 3 0 5 6 0	Sheet for rotary solenoid	1/H	
8	HB 2 4 0 3 1 0	Eccentric collar (φ12)	1/H	
9	HB 2 4 0 0 4 0	Stopper eccentric	2/H	
1 0	HB 2 4 0 0 5 0	Eccentric collar (φ11)	1/H	
1 1	HB 2 4 0 3 4 0	Stopper eccentric a'ssy (φ12)	1/H	
1 2	HB 2 4 0 3 3 0	Stopper eccentric a'ssy (φ11)	1/H	
1 3	HB 2 3 0 5 8 0	Solenoid prevention noise cover	1/H	
1 4	HB 2 4 0 0 2 0	Jump solenoid lever	1/H	
1 5	HB 2 4 0 0 3 0	Jump solenoid lever pin	1/H	
1 6	KB 2 4 0 0 4 0	Cancel bracket	1/H	
1 7	HB 2 4 0 1 1 0	Cancel return spring	1/H	
1 8	HB 2 4 0 0 7 0	Cancel rod	1/H	
1 9	A 9 0 1 4 0 5 1	O-Ring P-5	1/H	
2 0	A 9 0 1 2 0 5 1	E-Ring (φ6)	1/H	
2 1	HB 2 4 0 0 9 0	Cancel rod guide	1/H	
2 2	HB 2 4 0 0 8 0	Manual cancel pin	1/H	
2 3		Hex, socket bolt M4×12		
2 4		Hex, nut M4		
2 5		Hex, socket button bolt M4×10		
2 6		Hex, socket set screw M4×4 (With adhesion)	1/H	
2 7		Hex, socket bolt M4×12 (With adhesion)	2/H	
2 8		Hex, socket bolt M4×8		

From the library of: Diamond Needle Corp

Barudan

⑩ Thread guide mechanism



From the library of: Diamond Needle Corp

MODEL
BEMRME-YS
BEMSME-YS
BEMXME-YS

⑩ Thread guide mechanism

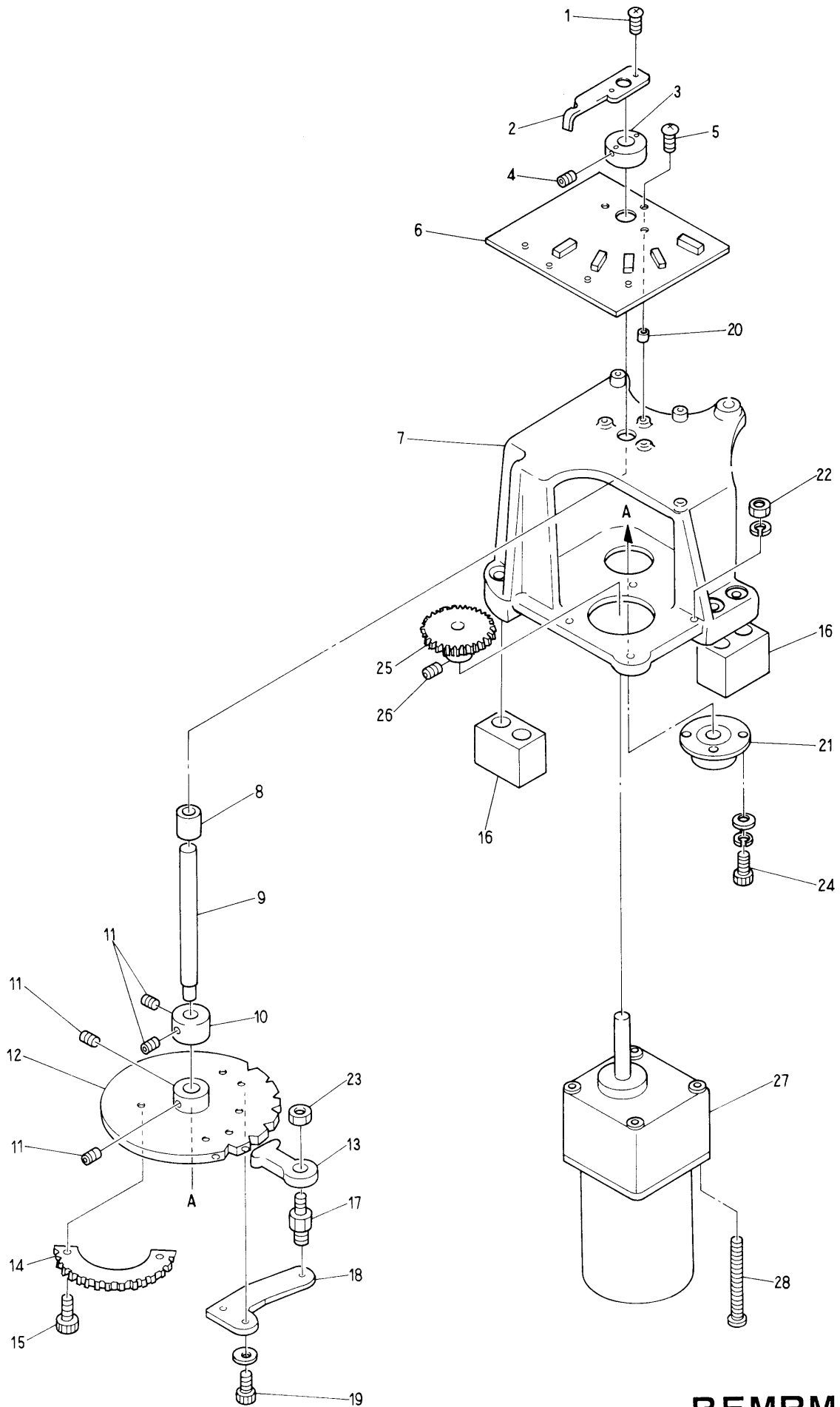
(H=Head Q'TY)

ITEM	LIST No.	DESCRIPTION	Q'TY	REMARK
1	HP 2 4 1 4 1 0	Dial type tension unit complete		YF...5/H YS...7/H
2	HP 2 4 1 1 5 0	Tension base (With screw)		YF...5/H YS...7/H
3	HP 2 4 1 1 8 0	First thread guide (7)	1 / H	YS
	HP 2 4 1 1 7 0	First thread guide (5)	1 / H	YF
4	HP 2 4 1 4 6 0	Thread guide felt fixing plate (7)	1 / H	YS
	HP 2 4 1 4 5 0	Thread guide felt fixing plate (5)	1 / H	YF
5	HP 2 4 1 4 4 0	Upper tension unit complete (D=13.5)		YF...5/H YS...7/H
6	HP 2 4 1 1 2 2	Tension base (7)	1	HP241160 YS HP241150
	HP 2 4 1 1 1 2	Tension base (5)	1	HP241160 YF HP241150
7	HP 2 4 1 1 6 0	Upper thread detection pin		YF...5/H YS...7/H
8	HP 2 4 1 3 8 1	Tension earth plate (7)	1 / H	YS
	HP 2 4 1 3 7 1	Tension earth plate (5)	1 / H	YF
9		Tapping screw 2 × 8		
10	HP 2 4 1 4 8 0	Thread guide felt (7)	1 / H	YS
	HP 2 4 1 4 7 0	Thread guide felt (5)	1 / H	YF
11	HB 2 4 0 2 6 0	Second thread guide plate (7)	1 / H	YS
	HB 2 4 0 2 7 0	Second thread guide plate (5)	1 / H	YF
12	EBY 0 1 0 7 0	4613 Head board	1 / H	
13	KB 2 4 0 0 5 1	Tension base bracket	1 / H	
14	KU 2 4 1 4 0 0	Tension base label	1 / H	
15	KB 2 4 0 1 0 0	Tension cable cover	1 / H	
16	KB 2 4 0 0 6 0	Tension base (7)	1 / H	YS
	KB 2 4 0 0 7 0	Tension base (5)	1 / H	YF
17	KB 2 5 0 0 2 0	Sewing head cover A	1 / H	
18	KB 2 5 0 0 3 0	Sewing head cover B	1 / H	
19	KB 2 5 0 0 4 0	Sewing head cover C	1 / H	
20	KG 2 5 0 0 1 0	Thread end trap unit a'ssy (7)	1 / H	YS
	HP 2 5 0 0 5 0	Thread end trap unit a'ssy (5)	1 / H	YF
21	KB 2 5 0 0 5 0	Sewing head cover fixing bracket	1 / H	
22	KB 2 5 0 0 6 0	Sewing head cover fixing stay	1 / H	
23		Set screw (SM11/64 40×5.5)		
24		Truss screw M4 × 6		
25		Tapping screw M3.5 × 8		
26		Pan screw M3 × 4		
27		Pan screw with washer M4 × 8		
28		Hex, socket bolt with washer M5 × 15 (With adhesion)	2 / H	
29		Hex, socket bolt with washer M5 × 10 (With adhesion)	4 / H	
30		Hex, socket bolt M4 × 6		
31		Hex, socket bolt with washer M5 × 10 (With adhesion)	2 / H	
32		Hex, socket bolt M4 × 15		
33		Screw (SM9/64 40×10)		

From the library of: Diamond Needle Corp

Barudan

⑪ Color change mechanism I



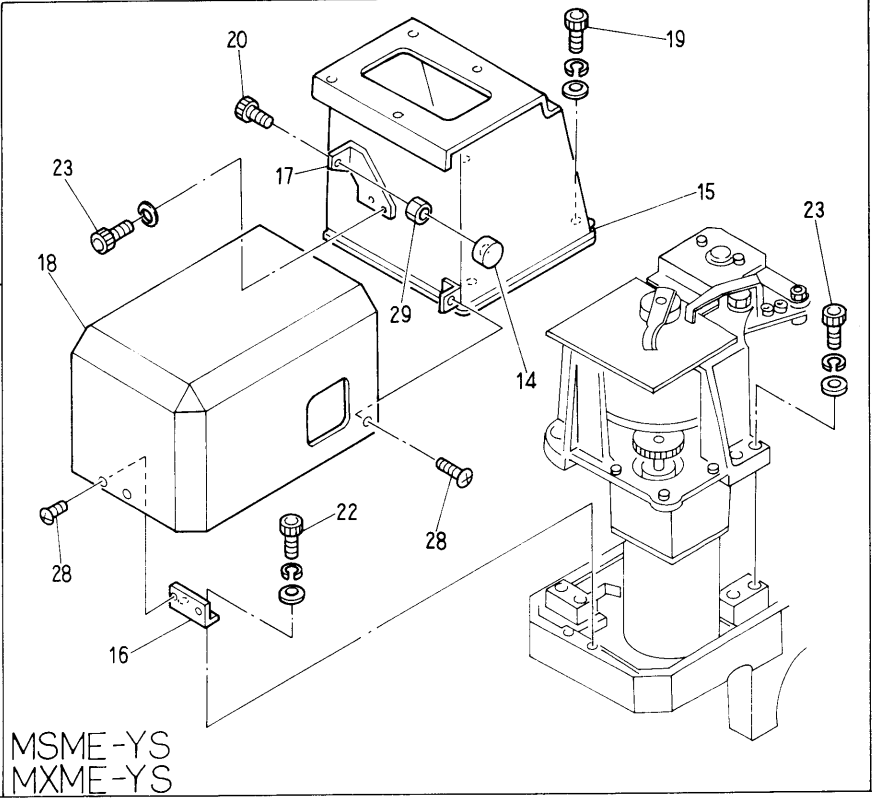
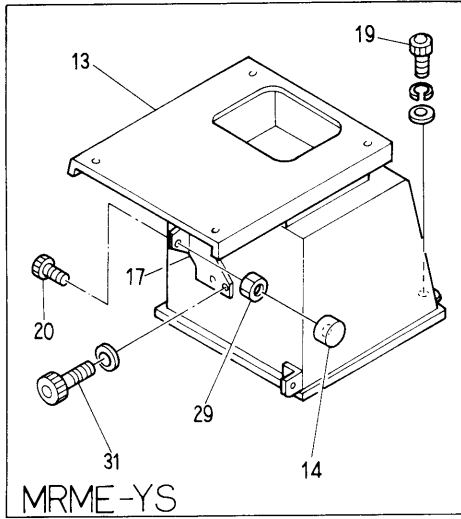
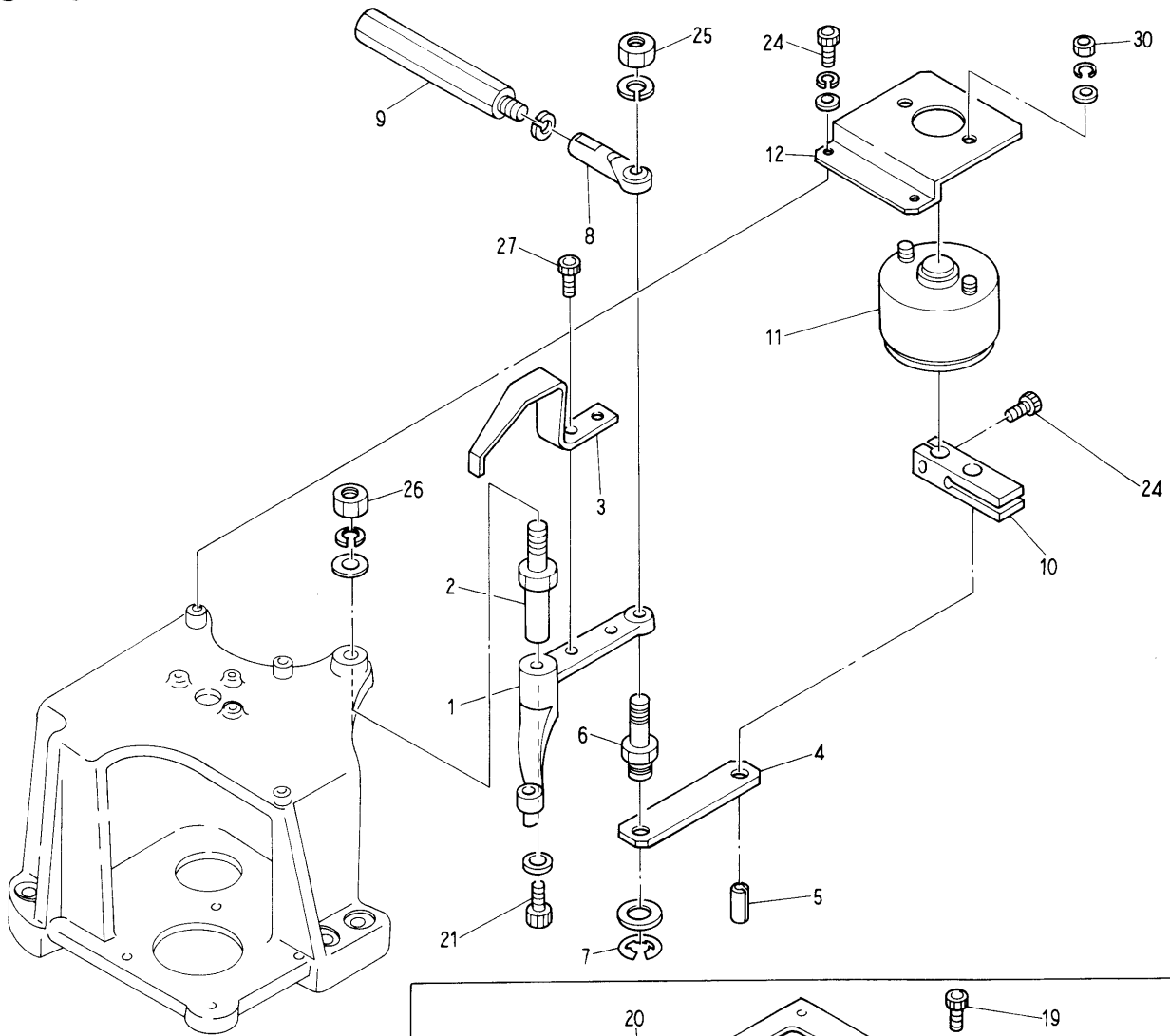
MODEL

BEMRME-YS
BEMSME-YS
BEMXME-YS

⑪Color change mechanism I

ITEM	LIST No.	DESCRIPTION	Q'TY	REMARK
1		Flush screw M3×8		
2	KC330280	Needle bar detection plate	1	
3	KC330170	Detection plate collar	1	
4		Hex, socket set screw M5×10		
5		Flush screw M3×12		
6	EBY00180	3740 Needle positioner	1	
7	KC330130	Needle turning unit base	1	
8	KC330190	Oil-less metal	1	
9	KC330161	Needle turning shaft	1	
10	KC330180	Collar φ10	1	
11		Hex, socket set screw M5×6		
12	KG330150	Control turning plate	1	
13	A9012001	Uniball joint (RD4020R)	1	
14	KG330220	Needle turning gear No.2	1	
15		Hex, socket bolt M5×12		
16	KL330050	Unit base spacer	2	
17	KF230360	Turret plate joint pin	1	
18	KL330040	Turret plate lever	1	
19		Hex, socket bolt M5×15		
20	A9012208	Spacer 5×4	3	
21	KC330610	Oil-less bearing (OCHIAI) S/S LS B-G8-080V	1	
22		Hex, nut M4		
23		Hex, nut M5		
24		Hex, socket bolt M6×12		
25	KC330210	Needle turning gear No.1 (0.8M50T)	1	
26		Hex, socket set screw M4×8		
27	A9065035	Geard motor RM-F6A5PC3R163-120	1	
28		Flush screw M4×65		

From the library of: Diamond Needle Corp



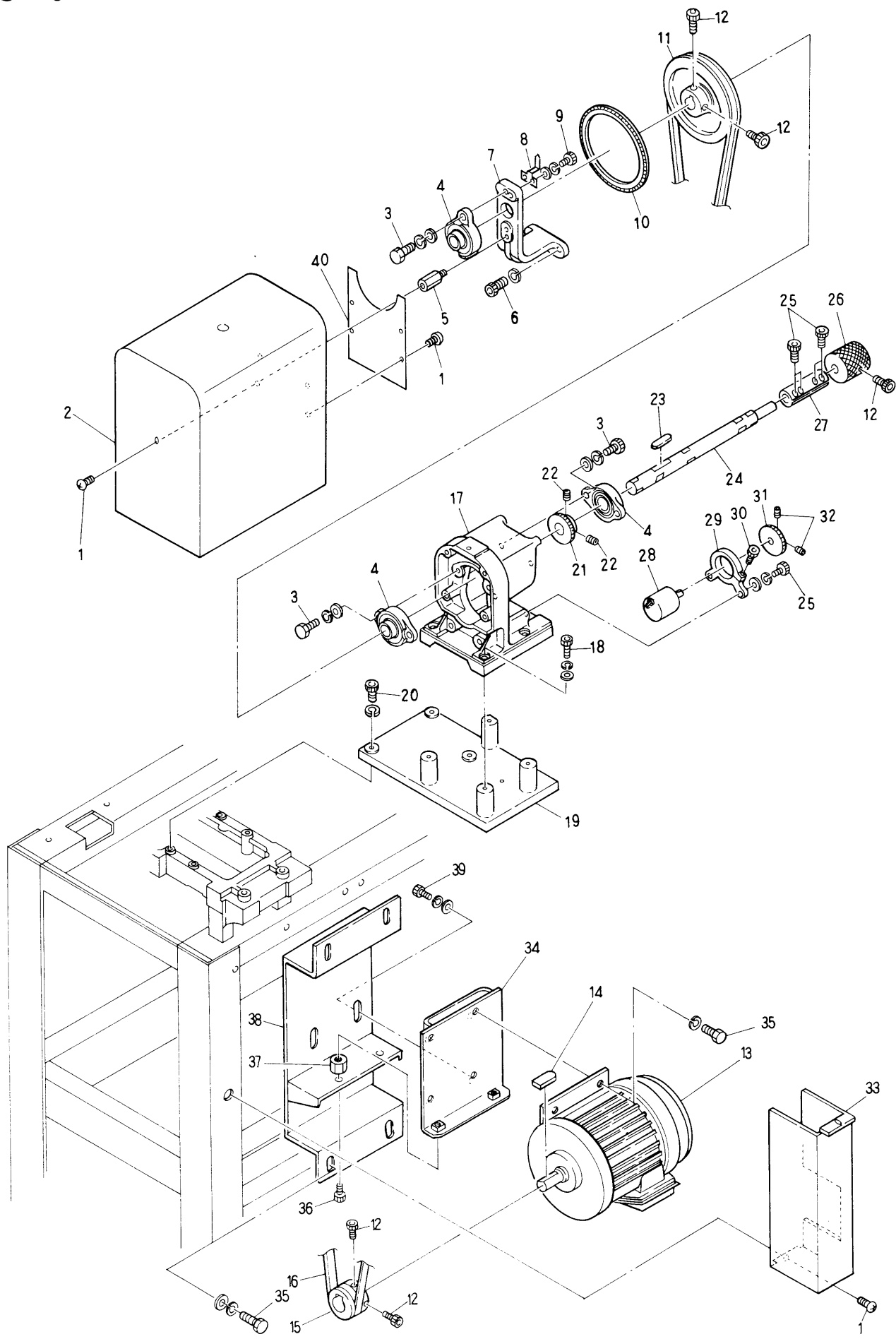
MSME-YS
MXME-YS

From the library of: Diamond Needle Corp

MODEL
BEMRME-YS
BEMSME-YS
BEMXME-YS

Barudan

13 Drive mechanism



MODEL
BEMRME-YS
BEMSME-YS
BEMXME-YS

From the library of: Diamond Needle Corp

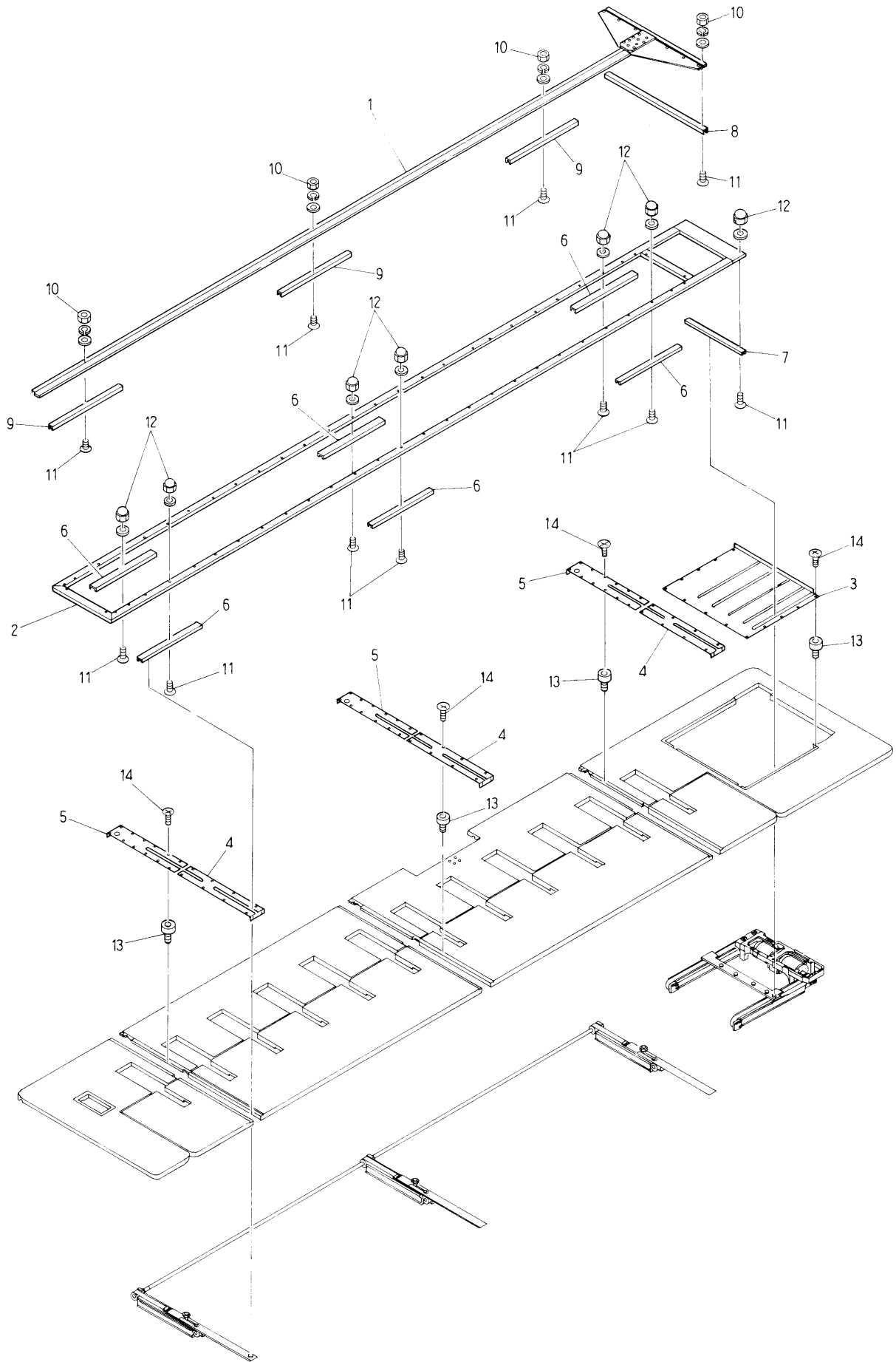
⑬ Drive mechanism

ITEM	LIST No.	DESCRIPTION	Q'TY	REMARK
1		Truss screw M4×10		
2	KK310030	Belt cover (Upper)	1	
3		Hex. bolt M8×25		
4	A9011017	Bearing unit (BLF 204)	3	
5	KN312940	Belt cover stay	1	
6		Hex. socket bolt M8×25		
7	KN315130	Brake box bearing	1	
8	KN310050	Angle gauge	1	
9		Hex. socket bolt M4×10		
10	KN313670	Angle label (A)	1	
11	KN310000	Driving pulley φ152.2	1	
12		Hex. socket screw M6×12		
13	KN315110	Motor (IK-FBK8-4P-0.55KW, VF3 200V)	1	
14		Key 6×6×32	1	
15	KN310010	Motor pulley φ48.6	1	
16	A9020200	V-Belt (4PK-1240)	1	
17	KN312810	Brake box	1	
18		Hex. socket bolt M6×35		
19	KK310040	Brake box base	1	
20		Hex. socket bolt M6×40		
21	KC312911	Encoder driving gear No.1	1	
22		Hex. socket set screw M5×8		
23	WW310210	Key 6×6×35	1	
24	KN312820	Brake shaft	1	
25		Hex. socket bolt M6×20		
26	KC320590	Hand pulley	1	
27	HH320550	Upper shaft connecting coupling	1	
28	KN511020	Position coder 051 (for Embroidery machine)	1	
29	KC312890	Encoder retainer	1	
30		Truss screw M4×15		
31	KC312921	Encoder driving gear No.2	1	
32		Hex. socket set M4×8		
33	KL310100	Belt cover (下)	1	
34	KL310071	Motor fixing bracket	1	
35		Hex. bolt M8×20		
36		Hex. bolt M8×55		
37		Hex. nut M8		
38	KL310081	Motor base	1	
39		Hex. socket bolt M8×20		
40	KK310020	Belt encoder cover (Upper)	1	

From the library of: Diamond Needle Corp

Barudan

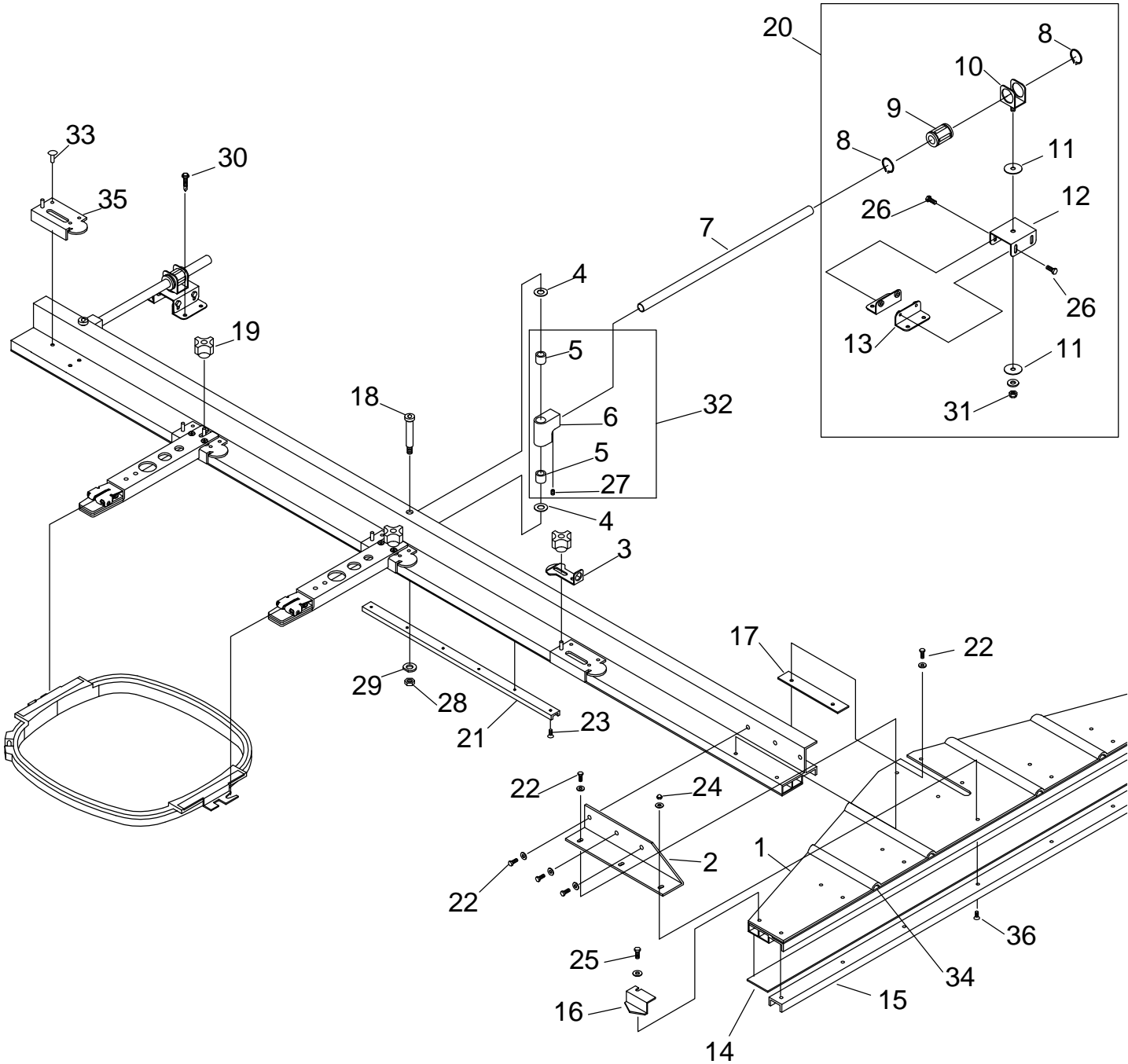
⑭ Pantograph drive mechanism I
(Pantograph, Cover)



From the library of: Diamond Needle Corp

MODEL
BEMRME-YS
BEMSME-YS
BEMXME-YS

American Pantograph Addendum



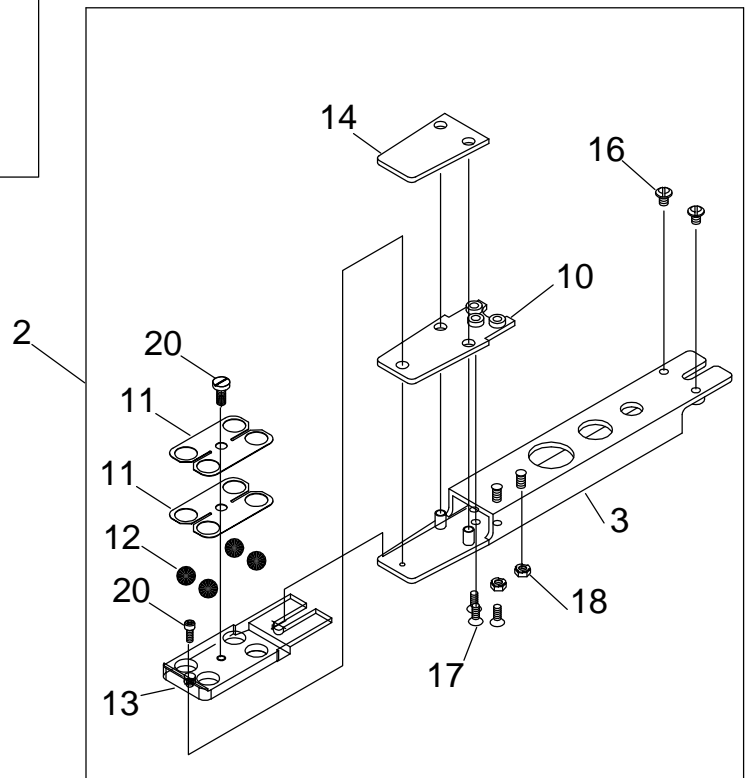
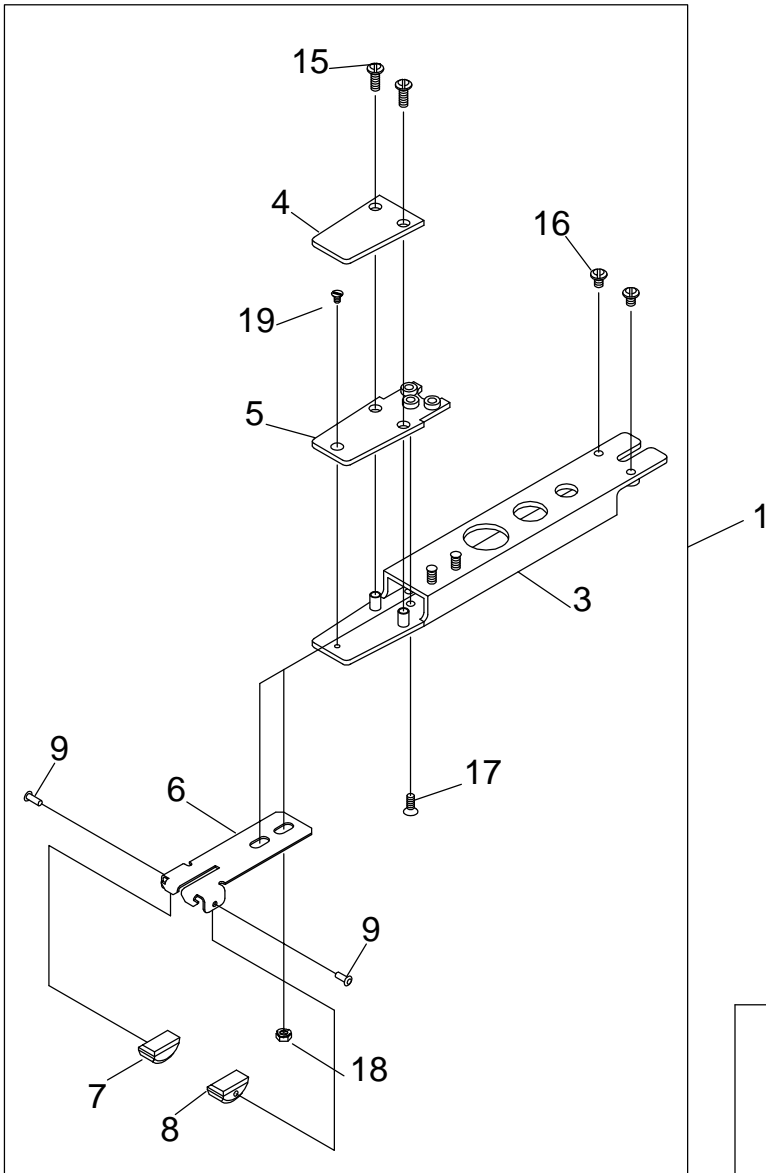
From the library of: Diamond Needle Corp

(For 12, 15, and 20 head U.S. built machines)

ITEM	LIST NO.	DESCRIPTION	QTY	NOTE
1.	A200083	Pantograph Stiffening Guide	1	
2.	A200084	Bracket, Pantograph	1	
3.	A200081	Bracket, Hoop Retaining	Sx1	
4.	A200105	Washer, Nylon	Sx2	
5.	A200106	Needle Bearing	Sx2	
6.	A200088	Swivel Bracket	Sx1	
7.	A200075	Tube, Pantograph Guide (18")	Sx1	
8.	A100103	Ring, Turret Bearing Retaining	Sx2	
9.	A100102	Bearing, Turret	Sx1	
10.	A200080	Bracket, Ball Bushing Retaining	Sx1	
11.	A100101	Washer, Turret Mounting	Sx2	
12.	A200078	Bracket, Upper Turret	Sx1	
13.	A200079	Bracket, Lower Turret	Sx2	
14.	A100105	Felt, Pantograph	1	
15.	A200094	Pantograph Bearing Guide (32")	1	
16.	A200129	Pointer, Pantograph	1	
17.	A200085	Shim, Pantograph Bracket	1	
18.	A200103	Screw, 5/16 -18 x 1 3/4" Shoulder	Sx1	
19.	P820710	Knob, 1/4-20 Phenolic		
20.	A100104	Turret Bracket Assembly		
21.	A200157	Pantograph Bearing Guide (22")		
22.		Screw, 8-32 x 1/2" Hex Head		
23.		Screw, 8-32 x 5/8" Phillips Flat Head		
24.		Nut, 10-32 Acorn		
25.		Screw, 10-32 x 1/2" Hex Head		
26.		Screw, 10-32 x 1 1/4" Hex Head		
27.		Screw, 10-32 x 1/4" Socket Cup Point Set		
28.		Nut, 5/16-18 Nylock		
29.		Washer, Half Cut Steel		
30.		Screw, 8-18 x 3/4" Hex. Head (No. 2 Tek)		
31.		Nut, 1/4-20 Nylock		
32.	A200090	Swivel Bracket Assembly		
33.	A200089	Retaining Bracket Rivet		
34.	A200086	Stiffening Guide Shim		
35.	A200087	Small Retaining Bracket		
36.		Screw, 10-32 x 3/4" Phillips Flat Head		

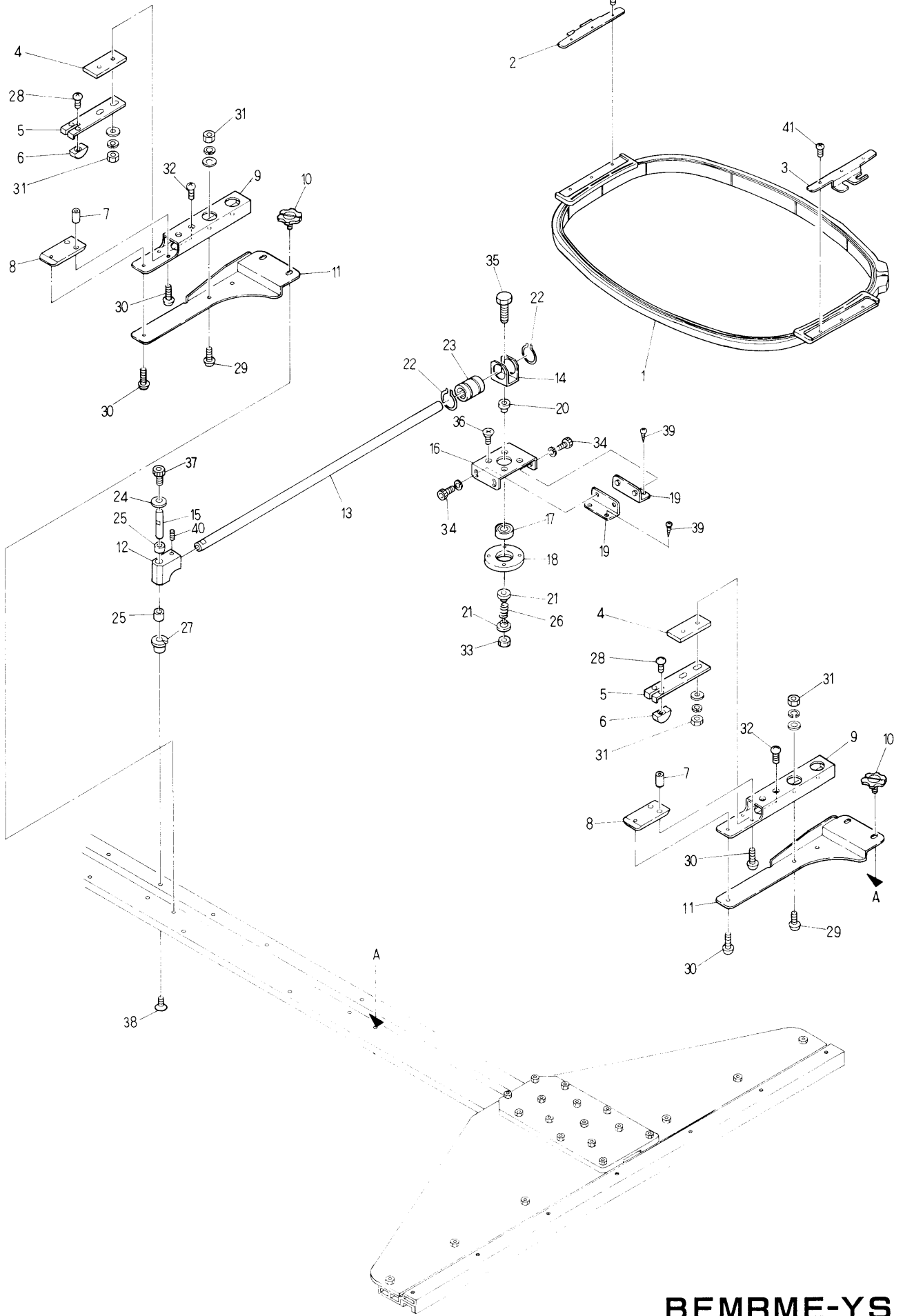
From the library of: Diamond Needle Corp

American Pantograph Addendum



(For 12, 15, and 20 head U.S. built machines)

⑮ Pantograph drive mechanism II
(T-Pantograph relation)



From the library of: Diamond Needle Corp

BEMRME-YS
BEMSME-YS
BEMXME-YS

MODEL

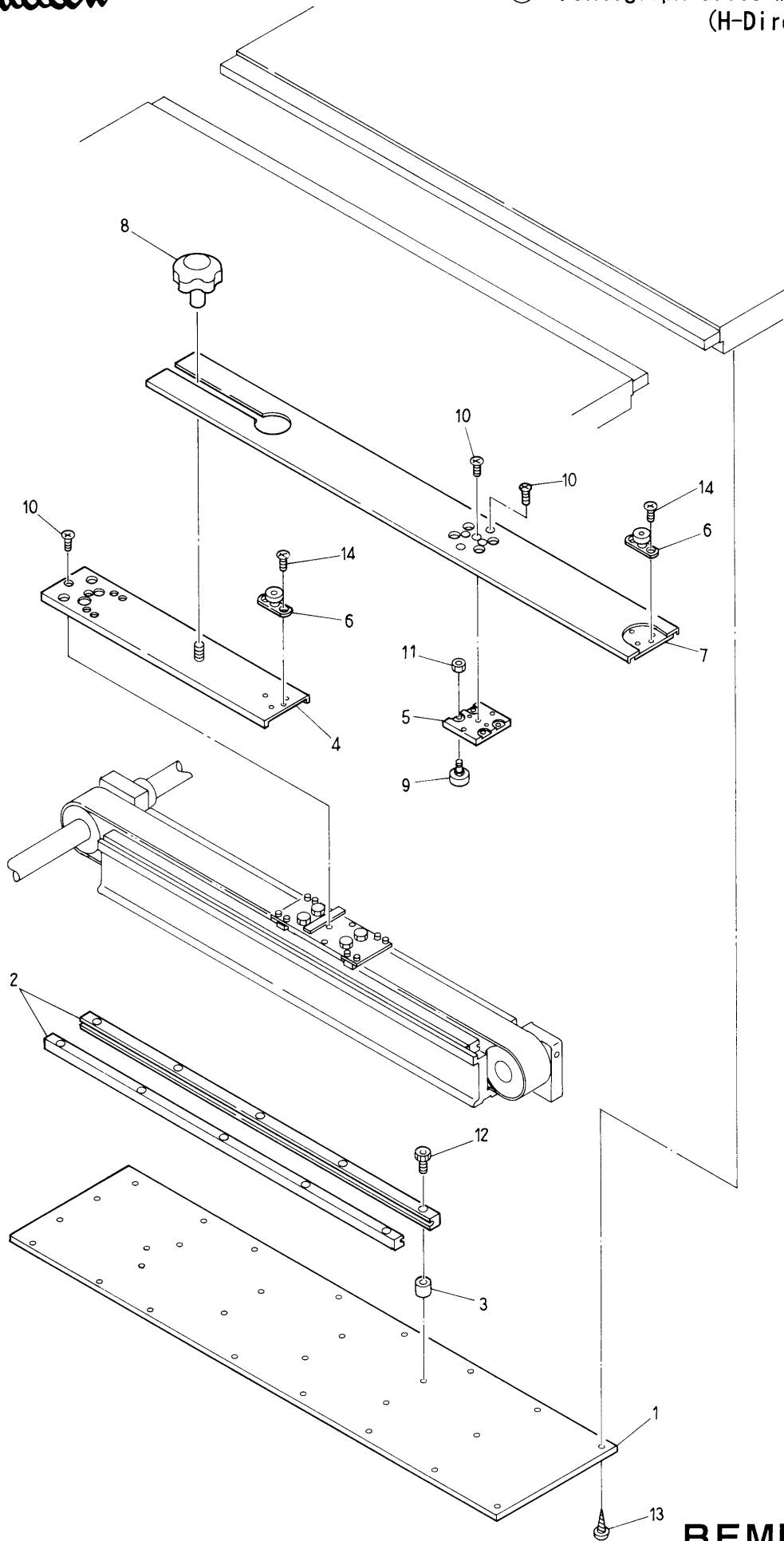
⑮ Pantograph drive mechanism II (T-Pantograph relation)

ITEM	LIST No.	DESCRIPTION	Q'TY	REMARK
1	FR92300290A	Square pantograph 320×290	1 2	
2	FR600528	Metal for allot wood frame (No.1) R	1 2	
3	FR600529	Metal for allot wood frame (No.1) L	1 2	
4	HS460200	Fixing spacer	1 3	
5	HS460030	Frame fixing spring No.2	1 3	
6	HS460050	Frame fixing block	2 6	
7	HS460210	Frame fixing the position pin	2 6	
8	KK460130	Frame slide plate	1 3	
9	KK460050	Fixing base	1 3	
10	HS730000	Knurling screw for pantograph	2 6	
11	KK460061	Fixing stay	1 3	
12	KK460070	Rotation block	6	
13	KK460090	Pantograph set driving shaft	6	
14	KK460040	Bush fixing bracket	6	
15	KK460080	Rotation shaft B	6	
16	KK460010	Pantograph set base (Upper)	6	
17	A9010036	Bearing (6900ZZ)	6	
18	KK460031	Bearing set plate	6	
19	KK460000	Pantograph set base (Lower)	1 2	
20	KK460020	Rotation shaft A	6	
21	KK460120	Spring set plate	1 2	
22	A9012064	C-Ring (For shaft) 21	1 2	
23	A9011131	Slide bush SM12GUU	6	
24	A9012164	Thrust washer R-TW 0815	6	
25	A9011132	DU bush MB0805	1 2	
26	KK460140	Pantograph set spring	6	
27	A9012264	DU bush (MB0808-15FDU)	6	
28		Truss screw M3×3		
29		Truss screw M3×7		
30		Truss screw M3×5		
31		Hex. nut M3		
32		Truss screw M3×10		
33		U-Nut M5		
34		Hex. socket M5×10		
35		Hex. bolt M5×25		
36		Flush screw M4×10		
37		Hex. socket bolt M4×8		
38		Flush screw M4×12		
39		Bind tapping screw 4.5×24		
40		Hex. socket set screw M6×8		
41		Flush screw M3×6		

From the library of: Diamond Needle Corp

Barudan

⑩ Pantograph drive mechanism III
(H-Direction, Front)

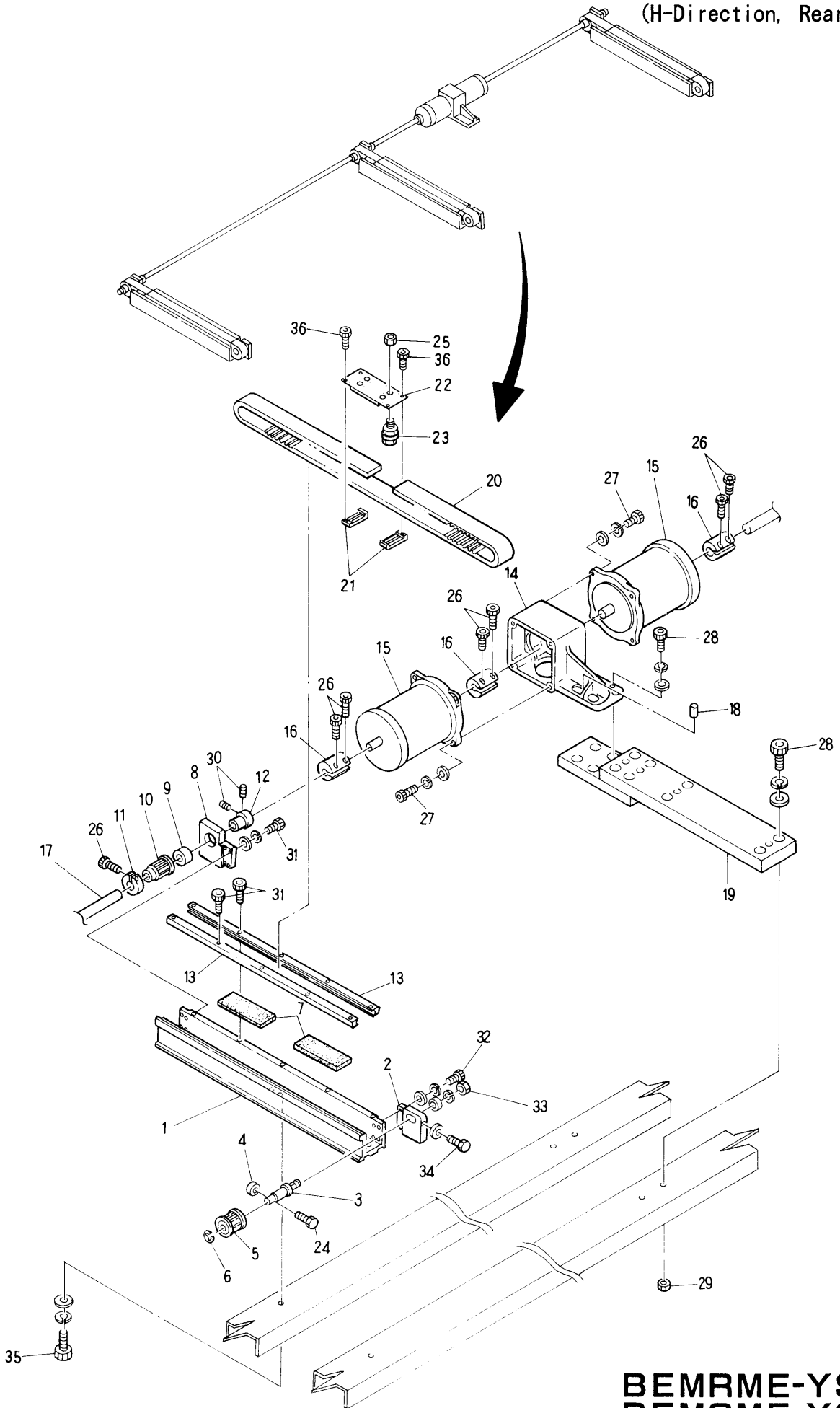


MODEL

BEMRME-YS
BEMSME-YS
BEMXME-YS

Barudan

⑰ Pantograph drive mechanism IV
(H-Direction, Rear I)



From the library of: Diamond Needle Corp

BEMRME-YS
BEMSME-YS
BEMXME-YS

MODEL

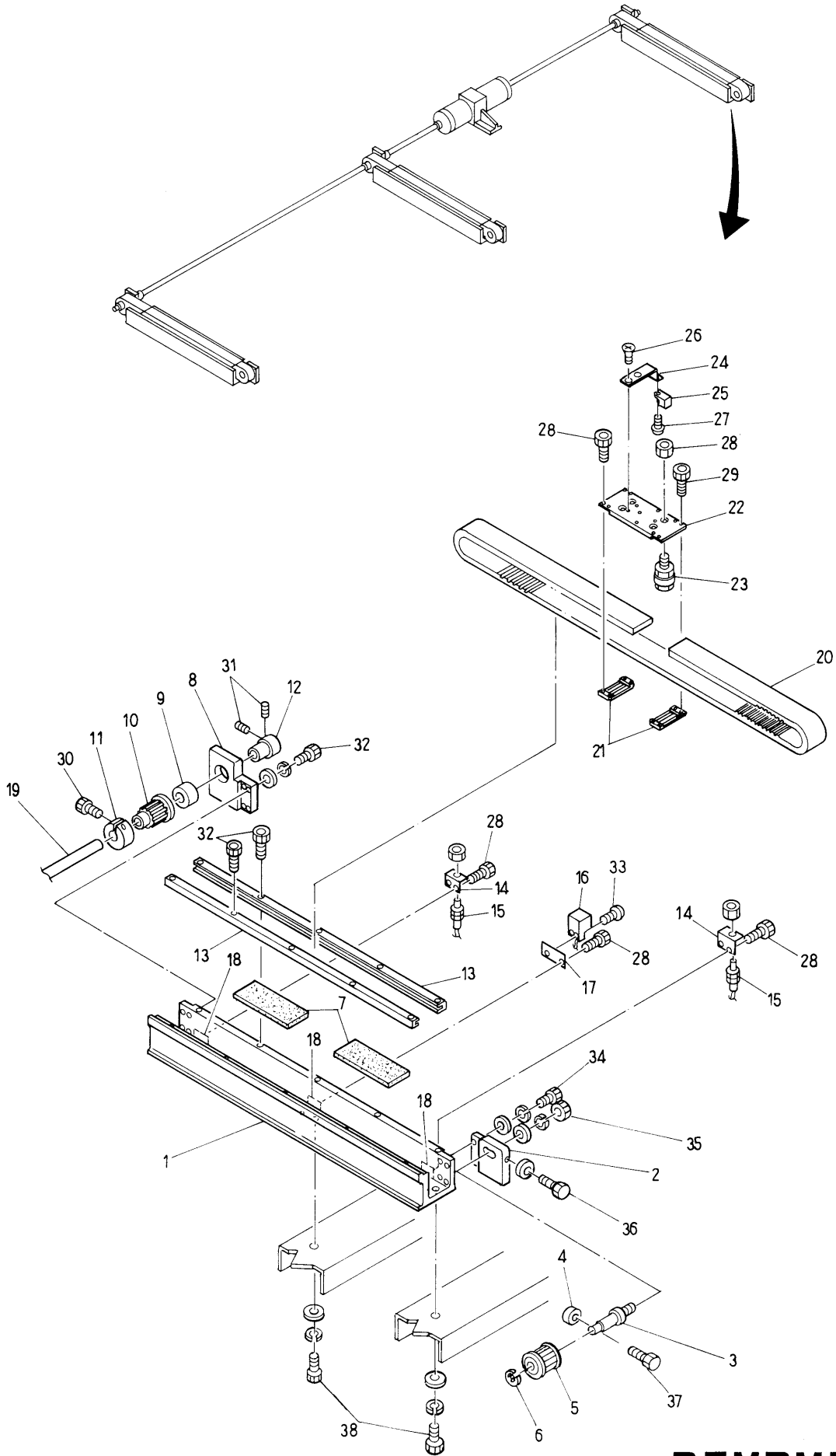
⑰ Pantograph drive mechanismIV (H-Direction, Rear I)

ITEM	LIST No.	DESCRIPTION	Q'TY	REMARK
1	KK480010	H-Guide rail base	2	
2	KN482000	H-Guide front pulley bracket	2	
3	HH481991	Timing pulley shaft	2	
4	HH482110	Pulley shaft bolt cap	2	
5	HP482980	Pantograph driving pulley (Front) (S5M)	2	
6	A9012052	E-Ring (φ10)	2	
7	KN480061	Rail base felt (100×38×6)	4	
8	KN482010	H-Guide rear pulley bracket	2	
9	A9011110	Needle bearing HK 2016	2	
10	HP482990	Pantograph driving pulley (Rear) (S5M)	2	
11	HH481980	Clamping φ19	2	
12	HH481970	Pulse motor connecting shaft collar	2	
13	KK480140	V-Guide rail (H) (L=430)	4	
14	KN470151	H-Pulse motor bracket	1	
15	HH481900	Pulse motor (4M)	2	
16	HH481931	Pulse motor coupling	3	
17		H-Pulse motor connecting shaft A (L=2470)	1	
18		Roll pin φ4×30	2	
19	KK470000	H-Motor bracket a'ssy	1	
20	A9020098	Timing belt (300S5M2000)	2	
21	HP482940	Timing set rack (5M)	4	
22	KK140130	H-Roller base (B·A type)	2	
23	HP482950	Roller pin a'ssy A	8	
24		Hex, bolt M4×40		
25		Hex, nut M5		
26		Hex, socket bolt M5×18		
27		Hex, socket bolt M6×25		
28		Hex, socket bolt M8×40		
29		Hex, nut M8		
30		Hex, socket set screw M5×8		
31		Hex, socket bolt M4×15		
32		Hex, socket bolt M4×18		
33		Hex, nut M8		
34		Hex, socket bolt M4×25		
35		Hex, socket bolt M8×20		
36		Hex, socket bolt M3×8		

From the library of: Diamond Needle Corp

Barudan

⑱ Pantograph drive mechanism V
(H-Direction, Rear II)



From the library of: Diamond Needle Corp

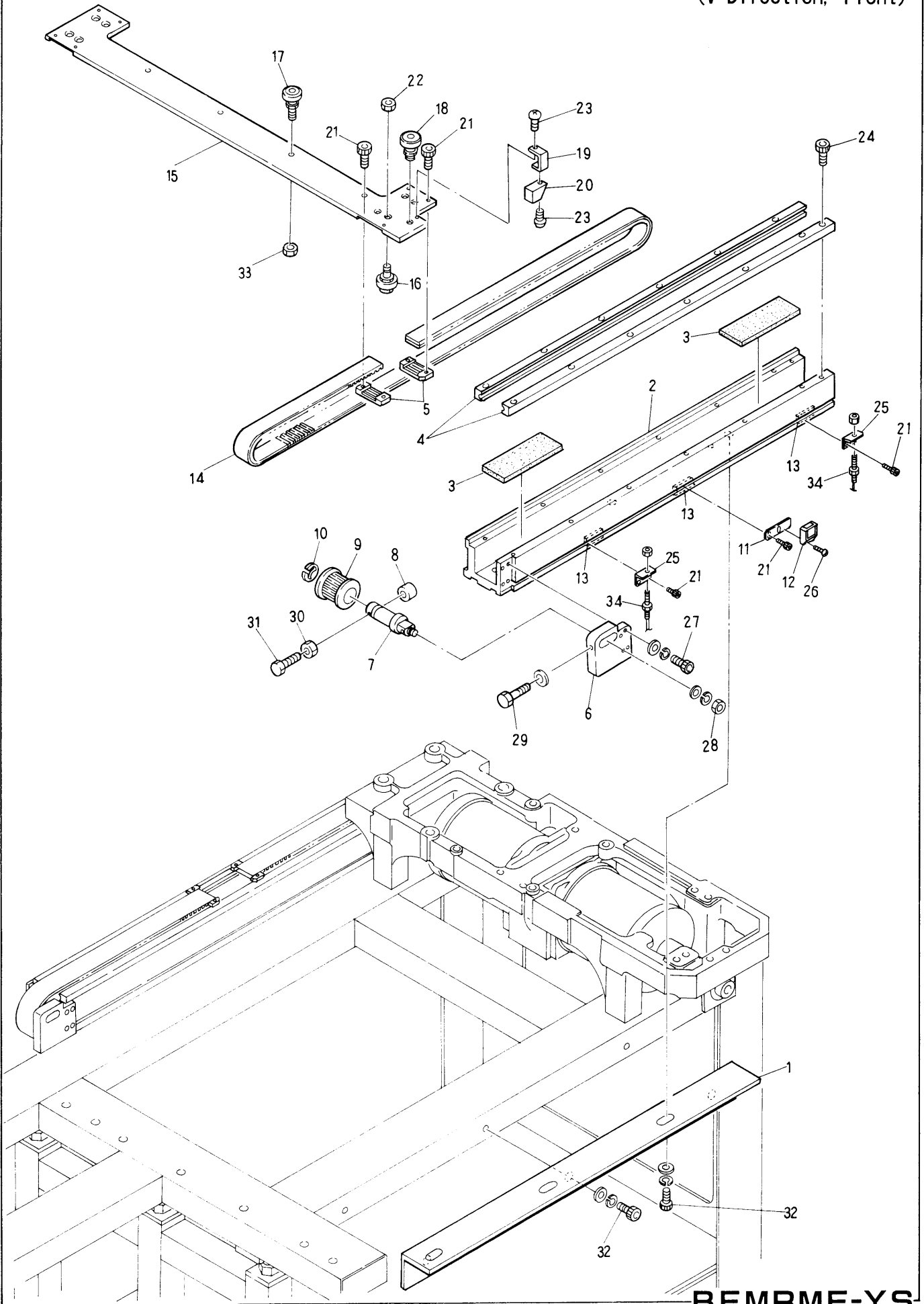
MODEL BEMRME-YS
BEMSME-YS
BEMXME-YS

⑱ Pantograph drive mechanism V (H-Direction, Rear II)

ITEM	LIST No.	DESCRIPTION	Q'TY	REMARK
1	KK480010	H-Guide rail base	1	
2	KN482000	H-Guide front pulley bracket	1	
3	HH481991	Timing pulley shaft	1	
4	HH482110	Pulley shaft bolt cap	1	
5	HP482980	Pantograph driving pulley (Front) (S5M)	1	
6	A9012052	E-Ring ($\phi 10$)	1	
7	KN480061	Rail base felt (100×38×6)	2	
8	KN482010	H-Guide rear pulley bracket	1	
9	A9011110	Needle bearing HK 2016	1	
10	HP482990	Pantograph driving pulley (Rear) (S5M)	1	
11	HH481980	Clamping $\phi 19$	1	
12	HH481970	Pulse motor connecting shaft collar	1	
13	KK480140	V-Guide rail (H) (L=430)	2	
14	MT460240	RS-001 Bracket (V)	2	
15	A9052024	Switch RS-001	2	
16	A9052031	Magnet proximity switch MH-601 A	1	
17	KN450300	MH-601A Proximity switch fixing bracket	1	
18	KU460270	Plate nut (M3)	3	
19		H-Pulse motor connecting shaft B (L=985)	1	
20	A9020098	Timing belt (300S5M2000)	1	
21	HP482940	Timing belt set rack (5M)	2	
22	KK140130	H-Roller base (B·A type)	1	
23	HP482950	Roller pin a'ssy A	4	
24	KU460342	H-Pantograph origin point magnet bracket	1	
25	A9052030	Magnet M-102A-02	1	
26		Flush screw M4×6		
27		Truss screw M3×6		
28		Hex, socket bolt M3×8		
29		Hex, nut M5		
30		Hex, socket bolt M5×18		
31		Hex, socket set screw M5×8		
32		Hex, socket bolt M4×15		
33		Truss screw M3×10		
34		Hex, socket bolt M4×18		
35		Hex, nut M8		
36		Hex, bolt M4×25		
37		Hex, bolt M4×40		
38		Hex, socket bolt M8×20		

Barudan

①9 Pantograph drive mechanism VI
(V-Direction, Front)



From the library of: Diamond Needle Corp

MODEL
BEMRME-YS
BEMSME-YS
BEMXME-YS

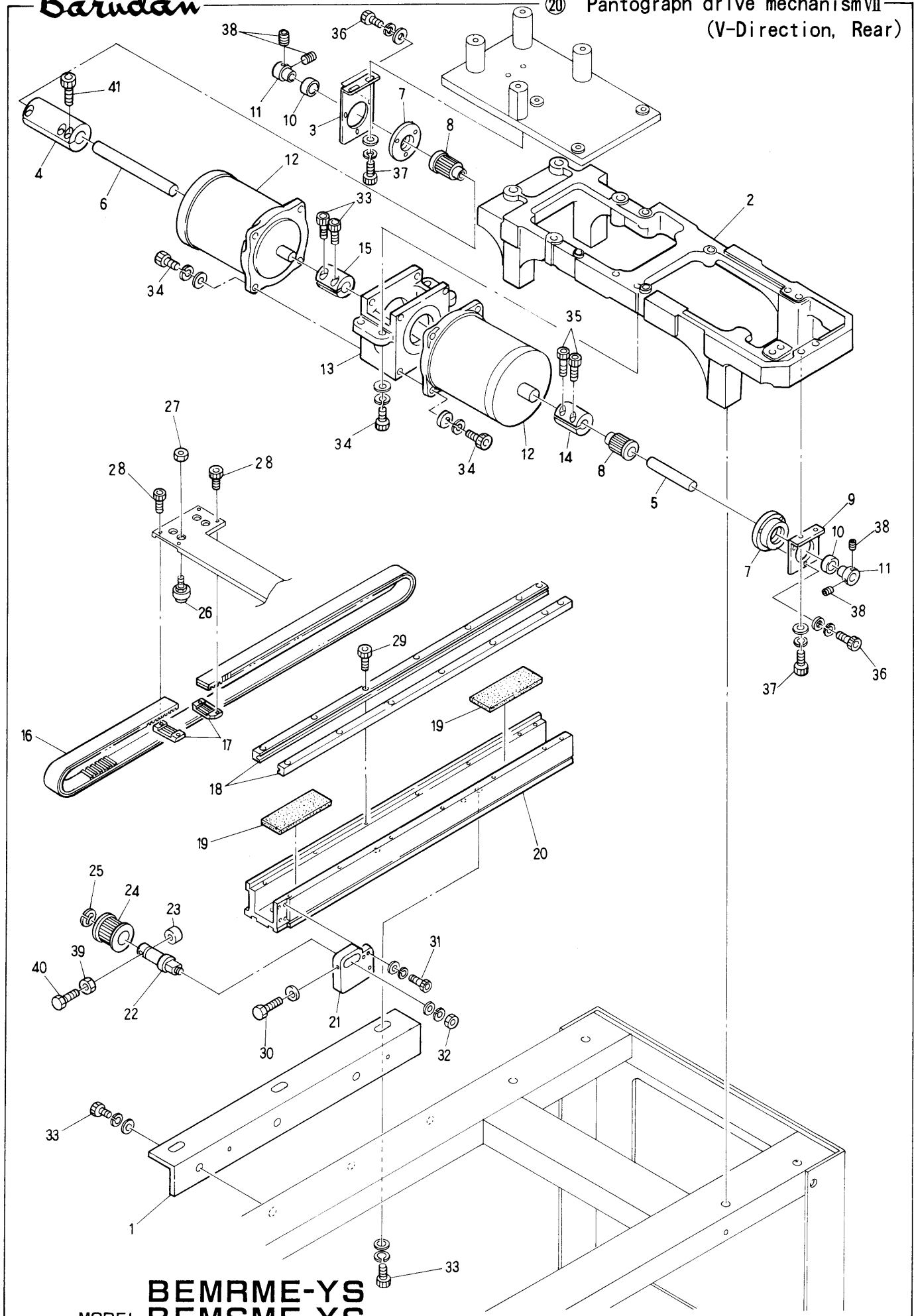
⑲ Pantograph drive mechanism VI (V-Direction, Front)

ITEM	LIST No.	DESCRIPTION	Q'TY	REMARK
1	KK480030	V-Guide rail base bracket (Front)	1	
2	KN483420	V-Guide rail base (Stroke 480)	1	
3	KN480061	Rail base felt (100×38×6)	2	
4	KN483450	V-Guide rail (L=660)	2	
5	HP482940	Timing belt set rack (5M)	2	
6	KN482000	H-Guide front pulley bracket	1	
7	HH481991	Timing pulley shaft	1	
8	HH482110	Pulley shaft bolt cap	1	
9	HP482980	Pantograph driving pulley (Front) (S5M)	1	
10	A9012052	E-Ring (φ10)	1	
11	KN450300	MH-601A Proximity switch fixing bracket	1	
12	A9052031	Magnet proximity switch (MH-601A)	1	
13	KU460270	Plate nut (M3)	3	
14	A9020098	Timing belt (300S5M2000)	1	
15	KK480110	V-Roller base	1	
16	HP482950	Roller pin a'ssy A	4	
17	HP483111	Guide rail bearing pin a'ssy B	4	
18	HP483370	Guide rail bearing pin a'ssy	1	
19	KN450311	V-Pantograph origin point magnet bracket	1	
20	A9052030	Magnet (M-102A-02)	1	
21		Hex. socket bolt M3×6		
22		Hex. nut M5		
23		Truss screw M3×6		
24		Hex. socket bolt M4×15		
25	MT460240	RS-001 Bracket (V)	2	
26		Truss screw M3×10		
27		Hex. socket bolt M4×18		
28		Hex. nut M8		
29		Hex. bolt M4×25		
30		Hex. nut M4		
31		Hex. bolt M4×25		
32		Hex. socket bolt M8×20		
33		Hex. nut M3		
34	A9052024	Switch RS-001	2	

From the library of: Diamond Needle Corp

Barudan

20 Pantograph drive mechanism VII
(V-Direction, Rear)



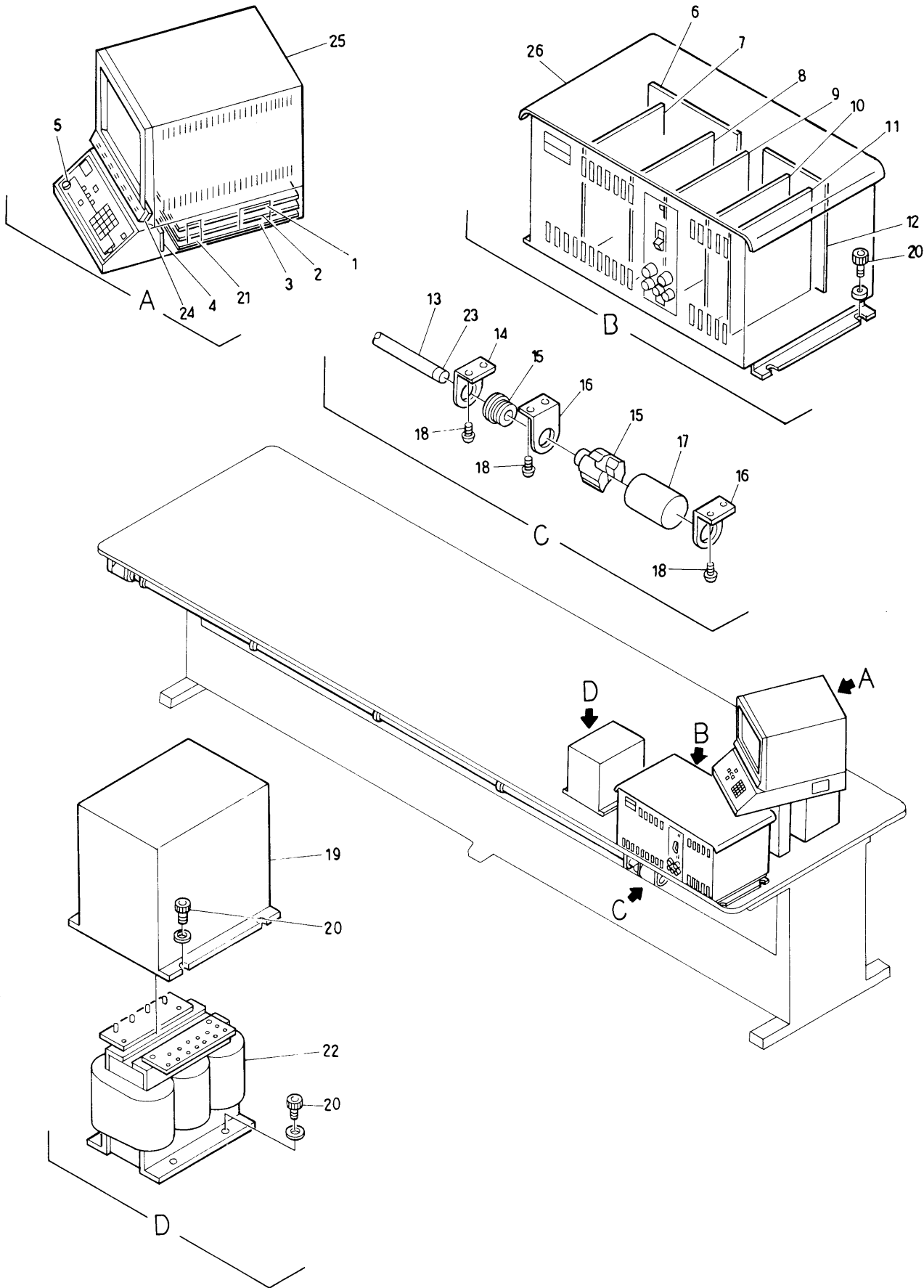
MODEL

BEMRME-YS
BEMSME-YS
BEMXME-YS

⑳ Pantograph drive mechanismVII (V-Direction, Rear)

ITEM	LIST No.	DESCRIPTION	Q'TY	REMARK
1	KK480020	V-Guide rail base (Rear)	1	
2	KK310060	Control base unit	1	
3	KK310000	Bearing bracket	1	
4	KK310010	Clamping ϕ 19 with coupling	1	
5	KN490140	V-Timing belt shaft	1	
6	KK310050	V-Timing belt shaft	1	
7	KN490130	V-Timing belt shaft bearing housing	2	
8	HP482990	Pantograph driving pulley (Rear) (S 5 M)	2	
9	KN490121	Bearing bracket	1	
10	A9011110	Needle bearing HK2016	2	
11	HH481970	Pulse motor connecting shaft collar	2	
12	HH481900	Pulse motor (4 M)	2	
13	KN470161	V-Pulse motor bracket	1	
14	KN490150	V-Pulse motor coupling	1	
15	HH481931	V-Pulse motor coupling	1	
16	A9020098	Timing belt (300S 5M2000)	1	
17	HP482940	Timing belt set rack (5 M)	2	
18	KN483450	V-Guide rail (L=660)	2	
19	KN480061	Rail base felt (100×38×6)	2	
20	KN483420	V-Guide rail base (Stroke 480)	1	
21	KN482000	H-Guide front pulley bracket	1	
22	HH481991	Timing pulley shaft	1	
23	HH482110	Pulley shaft bolt cap	1	
24	HP482980	Pantograph driving pulley (Front) (S 5 M)	1	
25	A9012052	E-Ring (ϕ 10)	1	
26	HP482950	Roller pin a'ssy A	4	
27		Hex, nut M5		
28		Hex, socket bolt M3×6		
29		Hex, socket bolt M4×15		
30		Hex, bolt M4×25		
31		Hex, socket bolt M4×18		
32		Hex, nut M8		
33		Hex, socket bolt M8×20		
34		Hex, socket bolt M6×25	2	
35		Hex, socket bolt M5×28	2	
36		Hex, socket bolt M4×8		
37		Hex, socket bolt M5×12		
38		Hex, socket set M5×8		
39		Hex, nut M4		
40		Hex, bolt M4×25		
41		Hex, socket bolt M5×15		

From the library of: Diamond Needle Corp



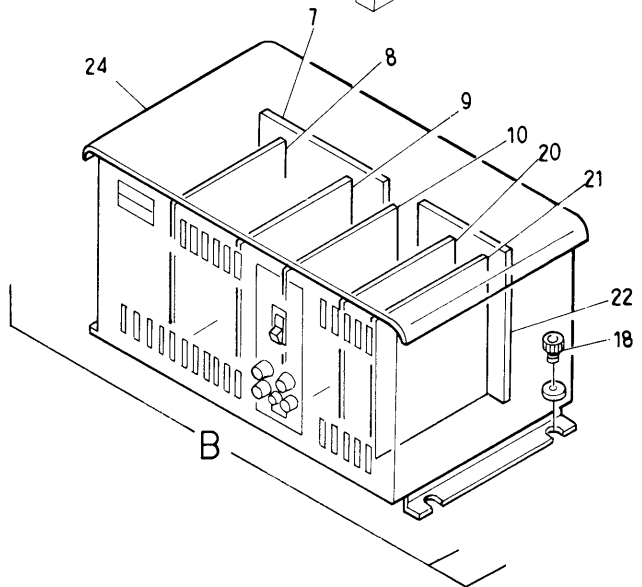
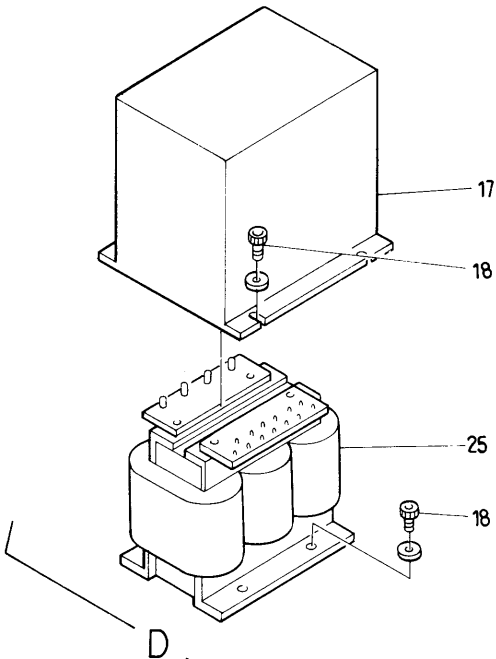
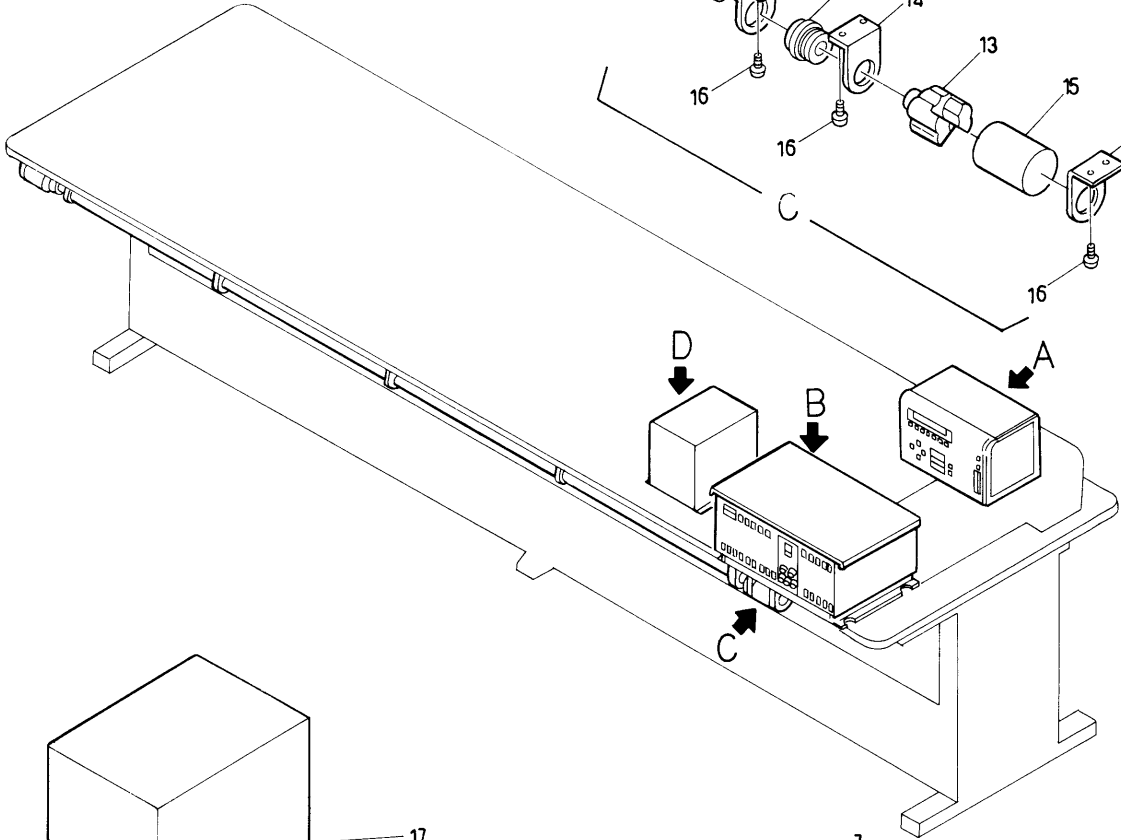
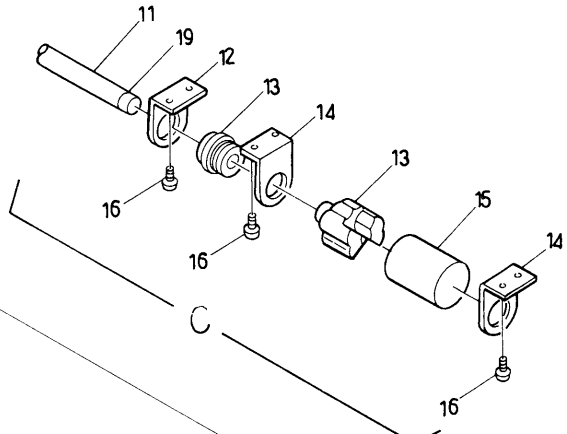
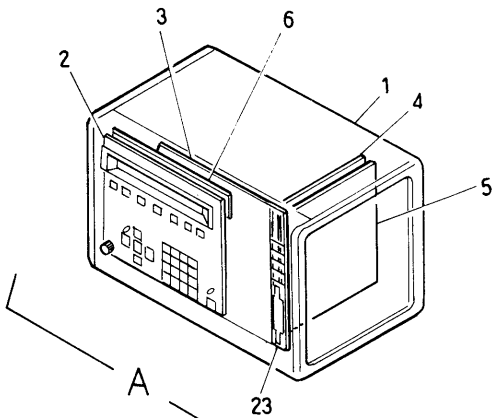
From the library of: Diamond Needle Corp

MODEL
BEMRME-YS
BEMSME-YS
BEMXME-YS

㊾ Control system <BEMRE-YS>

ITEM	LIST No	DESCRIPTION	Q'TY	REMARK
1	EBY00450	4410 CPU board	1	
2	EBY00460	4420 Memory board	1	
3	EBY00470	4430 FDSP board	1	
4	EBY00480	4440 B/B board	1	
5	EBY00490	4450 Buzzer board	1	
6	EBY00570	4590 B/B・L board	1	
7	EBY00540	4540 Pulse motor control board	1	
8	EBY00530	4530 Inver board	1	
9	EBY00550	4560 Power control board	1	
10	EBY00520	4520 Solenoid board	1	
11	EBY00510	4510 Interface board	1	
12	EBY00560	4580 B/B・R board	1	
13	KF530160	Bar switch	1	
14	KC530240	Bar switch bracket (S)	5	
15	KF530111	Push botton switch MS319 (Red)	1	
	KF530120	Push botton switch MS319 (Green)	1	
16	KC530230	Bar switch bracket (L)	4	
17	KF530150	Push botton switch cap	2	
18		Tapping screw M4×20		
19	KC520020	Transformer cover set	1	
20		Hex, socket bolt M6×30		
21	EBY00630	Floppy disk drive FD-1137C	1	
22	EAY022A3	Automat transformer (BEMRE) 1P	1	
	EAY021A3	Automat transformer (BEMRE) 3P	1	
23	KF530170	Bar switch cap	2	
24	EBY00500	4460 Switch board	1	
25	EAY017A1	Automat contoroler (BEMRE)	1	
26	EAY021A2	Automat driver (BEMRE)	1	

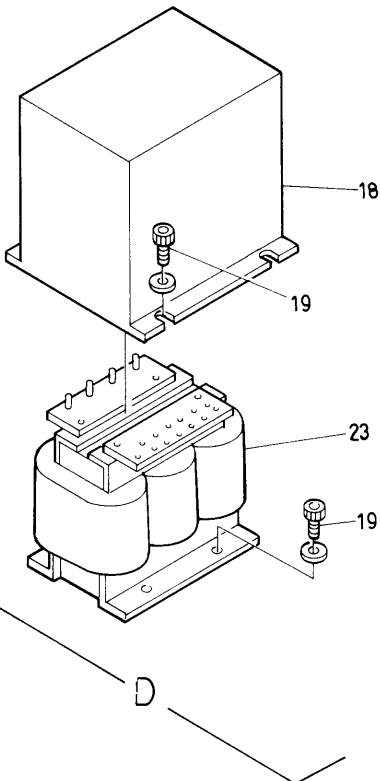
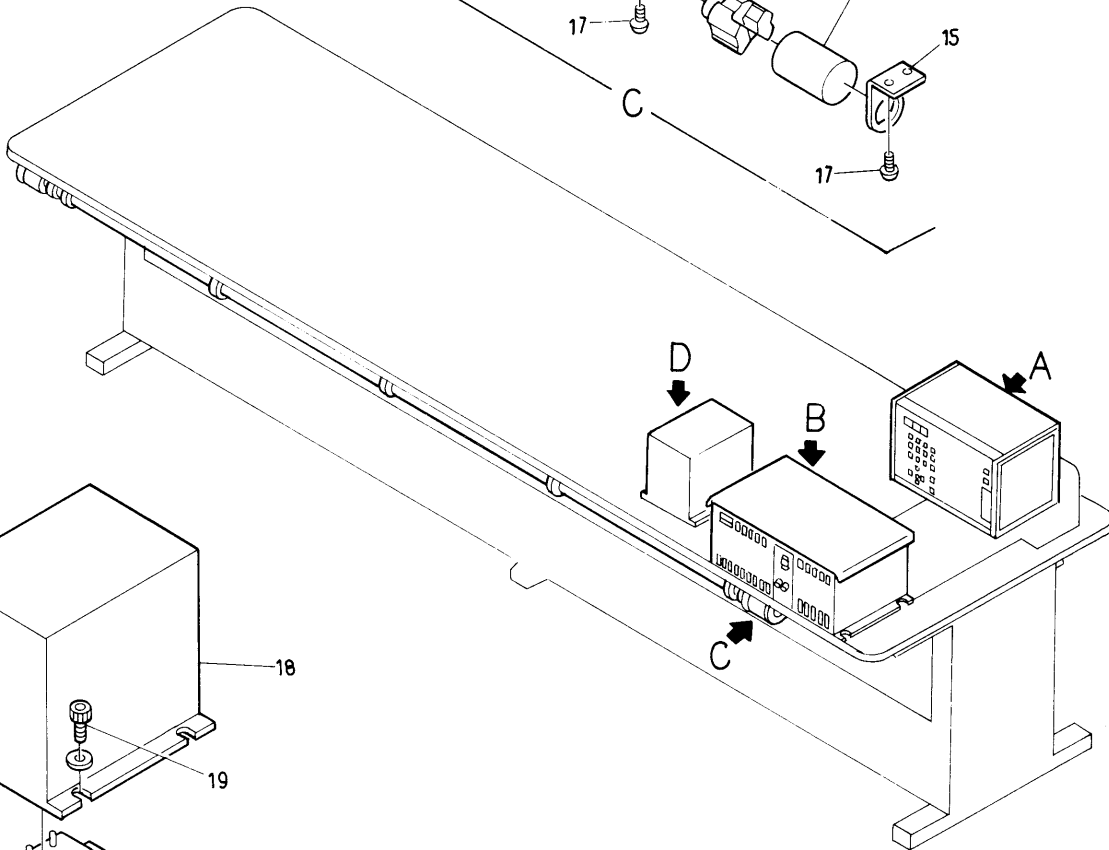
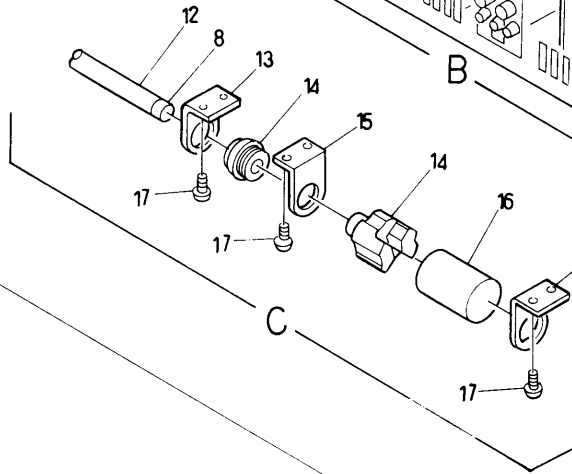
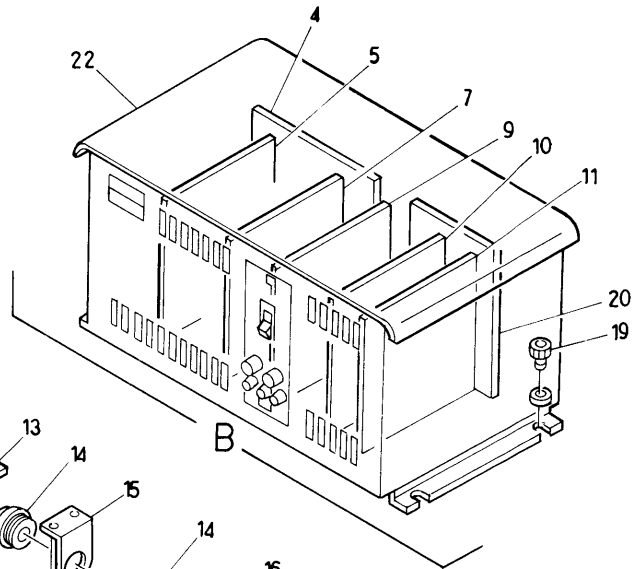
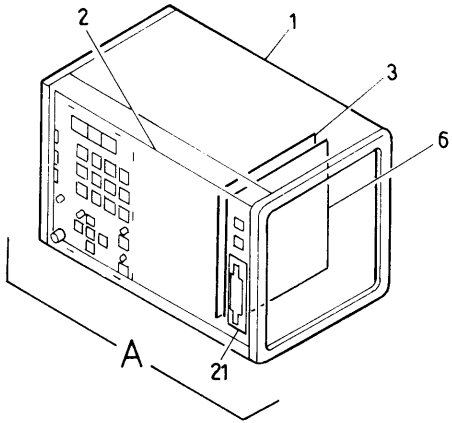
From the library of: Diamond Needle Corp



② Control system <BEMSME-YS>

ITEM	LIST No.	DESCRIPTION	Q'TY	REMARK
1	EAY021A3	Automat controller (BEMSE)	1	
2	EBY00990	7030 ON/OFF board	1	
3	EBY00970	7010 CPU board	1	
4	EBY00940	4920 Mempry board (17400 needle)	1	
5	EBY00950	4930 FD control board	1	
6	EBY00980	7020 Display/Switch board	1	
7	EBY00570	4590 B/B•L board	1	
8	EBY00540	4540 Pulse motor control board	1	
9	EBY00530	4530 Inverter board	1	
10	EBY00550	4560 Power control board	1	
11	KF530160	Bar switch	1	
12	KC530240	Bar switch bracket (S)	5	
13	KF530111	Push botton switch MS319 (Red)	1	
	KF530120	Push botton switch MS319 (Green)	1	
14	KC530230	Bar switch bracket (L)	4	
15	KF530150	Push botton switch cap	2	
16		Tapping screw M4×20		
17	KC520020	Transformer cover set	1	
18		Hex, socket bolt M6×30		
19	KF530170	Bar switch cap	2	
20	EBY00520	4520 Solenoid board	1	
21	EBY00510	4510 Interface board	1	
22	EBY00560	4580 B/B•R board	1	
23	EBY00630	Floppy disk drive FD-1137C	1	
24	EAY021A2	Automat driver (BEMSE)	1	
25	EAY021A3	Automat transformer (BEMSE) 3P	1	
	EAY022A3	Automat transformer (BEMSE) 1P	1	

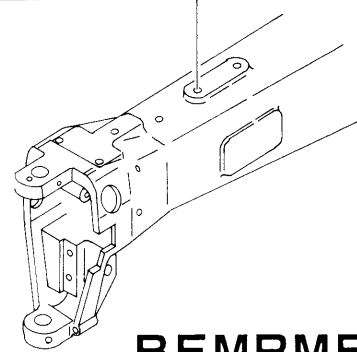
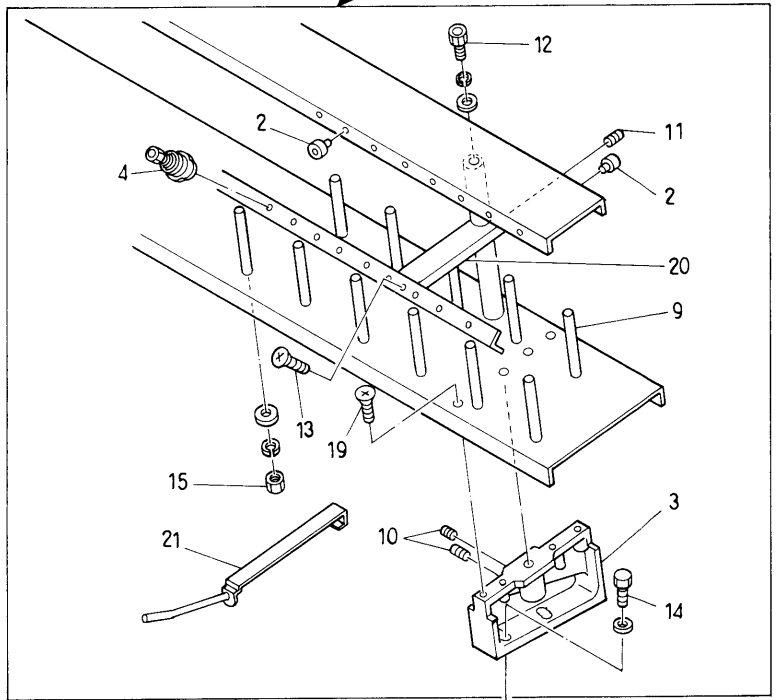
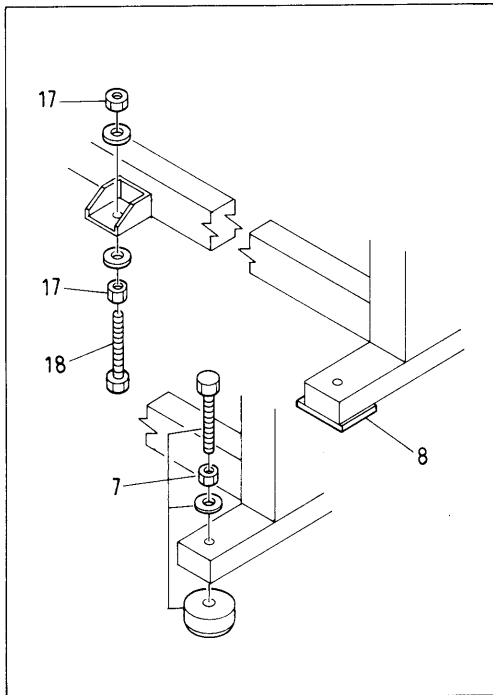
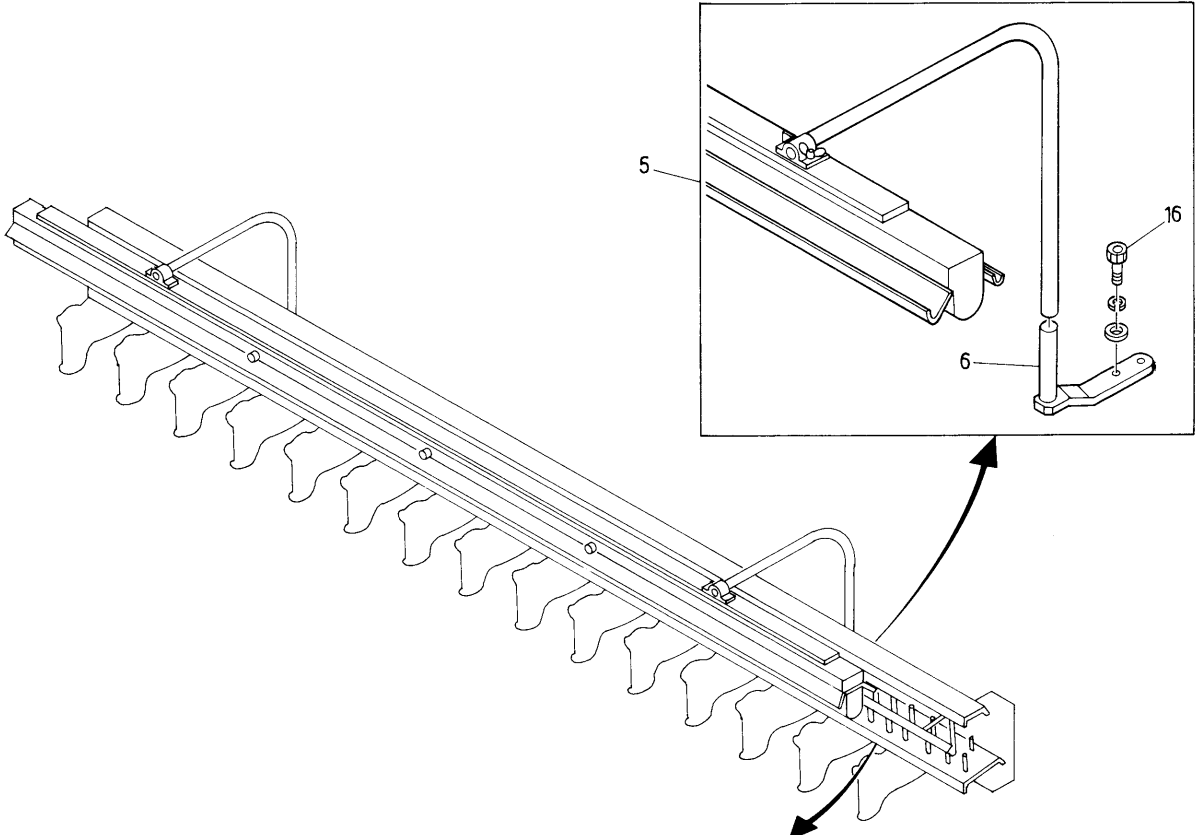
From the library of: Diamond Needle Corp



From the library of: Diamond Needle Corp

BEMRME-YS
BEMSME-YS
BEMXME-YS

MODEL



MODEL **BEMRME-YS**
BEMSME-YS
BEMXME-YS

② Option

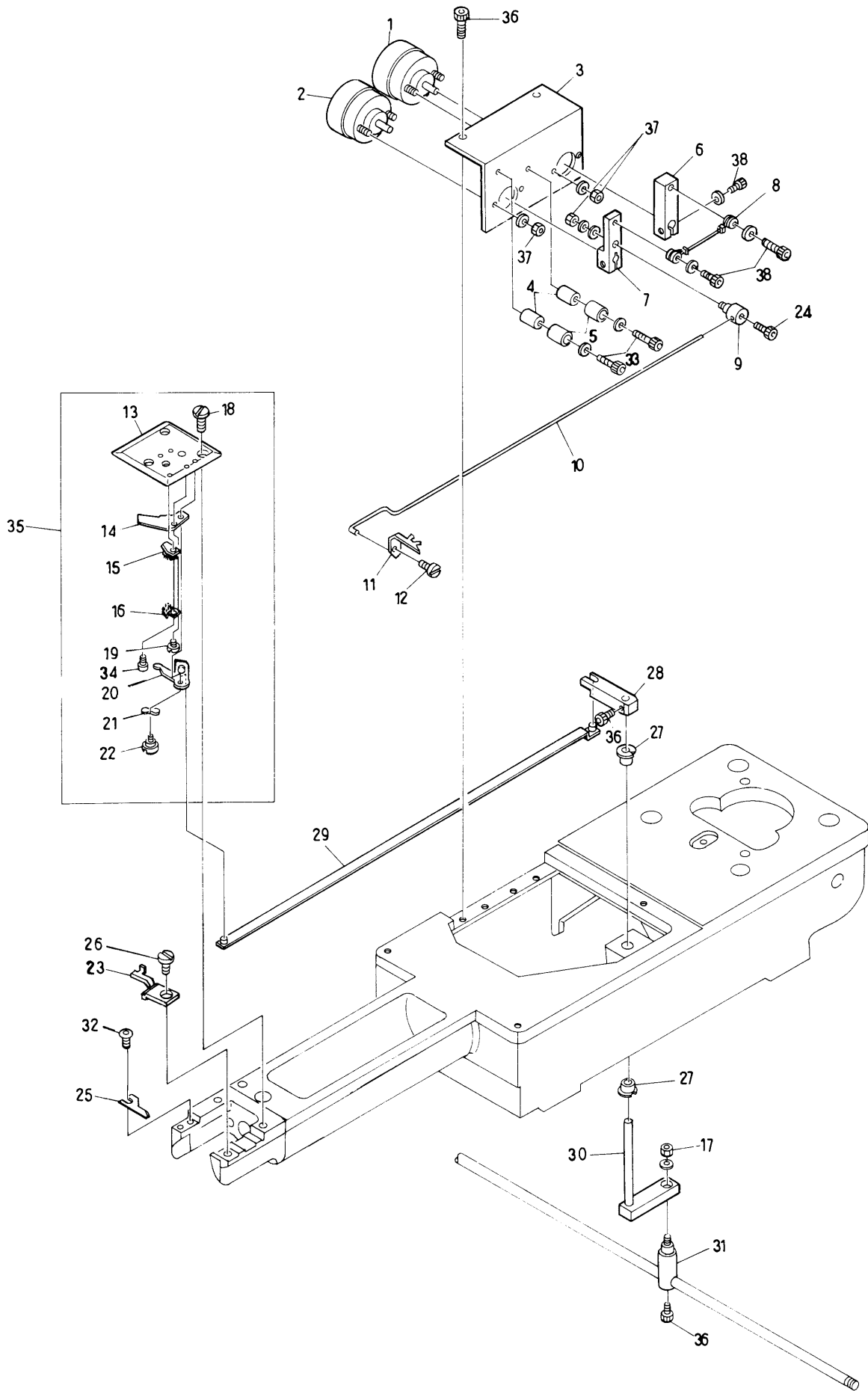
(*Change the LIST No. by machine type) (H=Head Q'TY)

ITEM	LIST No.	DESCRIPTION	Q'TY	REMARK
1	1 HP 1 2 3 0 0	Spool holder complete SRH-UF-12 (P=300)	1	※
2	KF 2 4 0 9 0 0	Thread guide ceramic (Spool stand)		
3	HP 7 1 0 7 9 0	Spool holder base	4	
4	HP 2 4 1 4 3 0	Second tention unit complete (D=13.5)	H× 9 H× 6	
5	KF 7 1 0 3 0 0	Fluorescent lamp set (LAP4012K15/25LG)	1	※
6	KG 7 1 0 1 6 1	Fluorescent lamp stand base	2	
7	HH 1 2 0 9 0 0	Mount set (140×70)	4	For export
8	KC 1 1 0 9 7 0	Machine base pad (P1012 100×100)	4	For interior
9	KF 7 1 0 2 8 0	Arm spool pin	H× 9 H× 6	
1 0		Hex, socket set screw M 5 × 8		
1 1		Hex, socket set screw M 6 × 8		
1 2		Hex, socket bolt M 6 × 15		
1 3		Flush screw M 5 × 8		
1 4		Hex, bolt M 8 × 20		
1 5		Hex, nut M 5		
1 6		Hex, socket bolt M 8 × 45		
1 7		Hex, nut M16		
1 8		Hex, socket bolt M16×130		
1 9		Flush screw M 4 × 12		
2 0	KC 7 1 0 2 7 0	Plate stay		
2 1	KF 7 1 0 4 1 0	Bobbin stand	3	(5)
	KC 7 1 0 4 1 0	Bobbin stand	3	(7)

From the library of: Diamond Needle Corp

Barudan

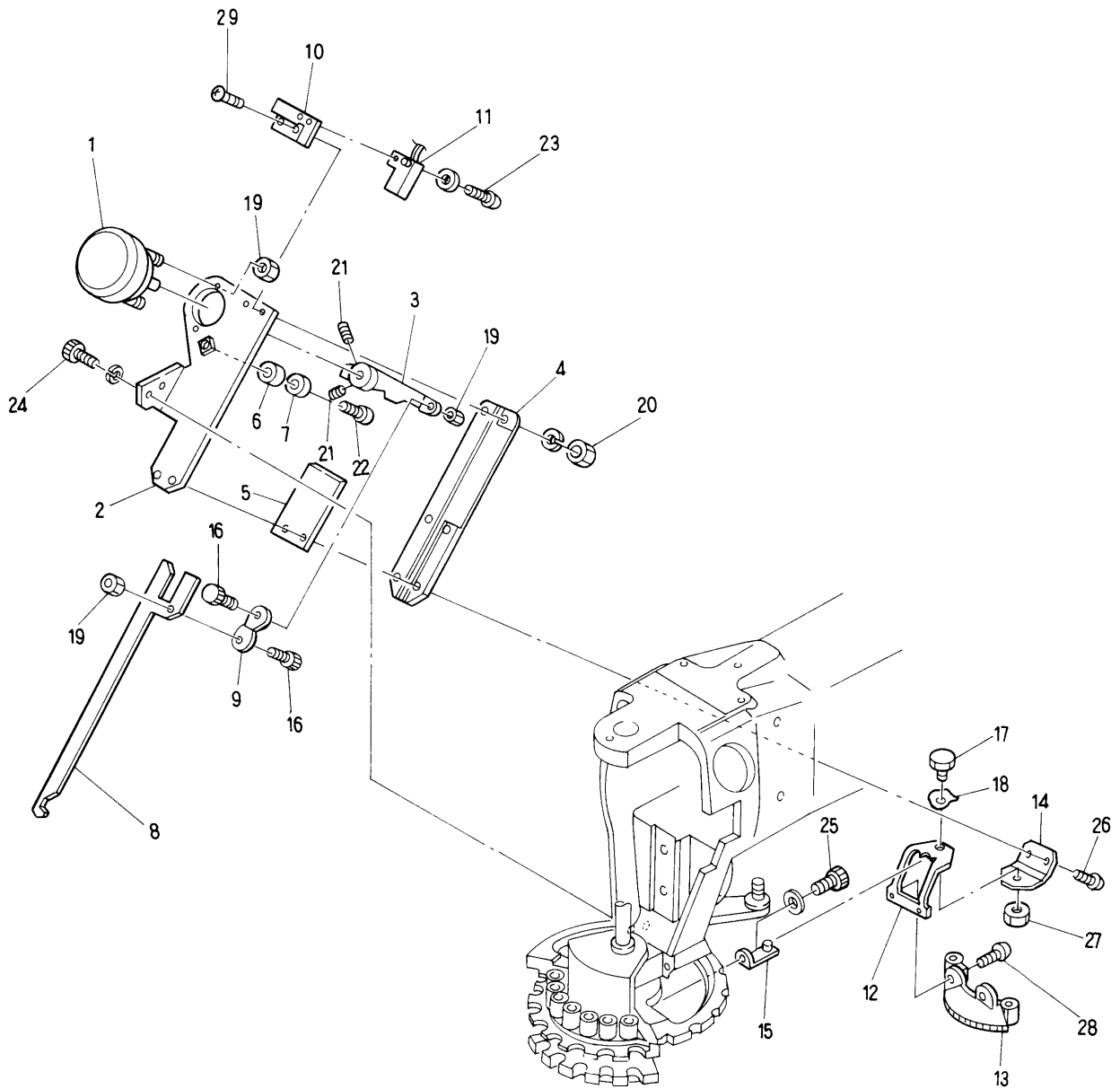
23 Automatic thread cutting mechanism I
(Thread cutting section)



MODEL
BEMRME-YS
BEMSME-YS
BEMXME-YS

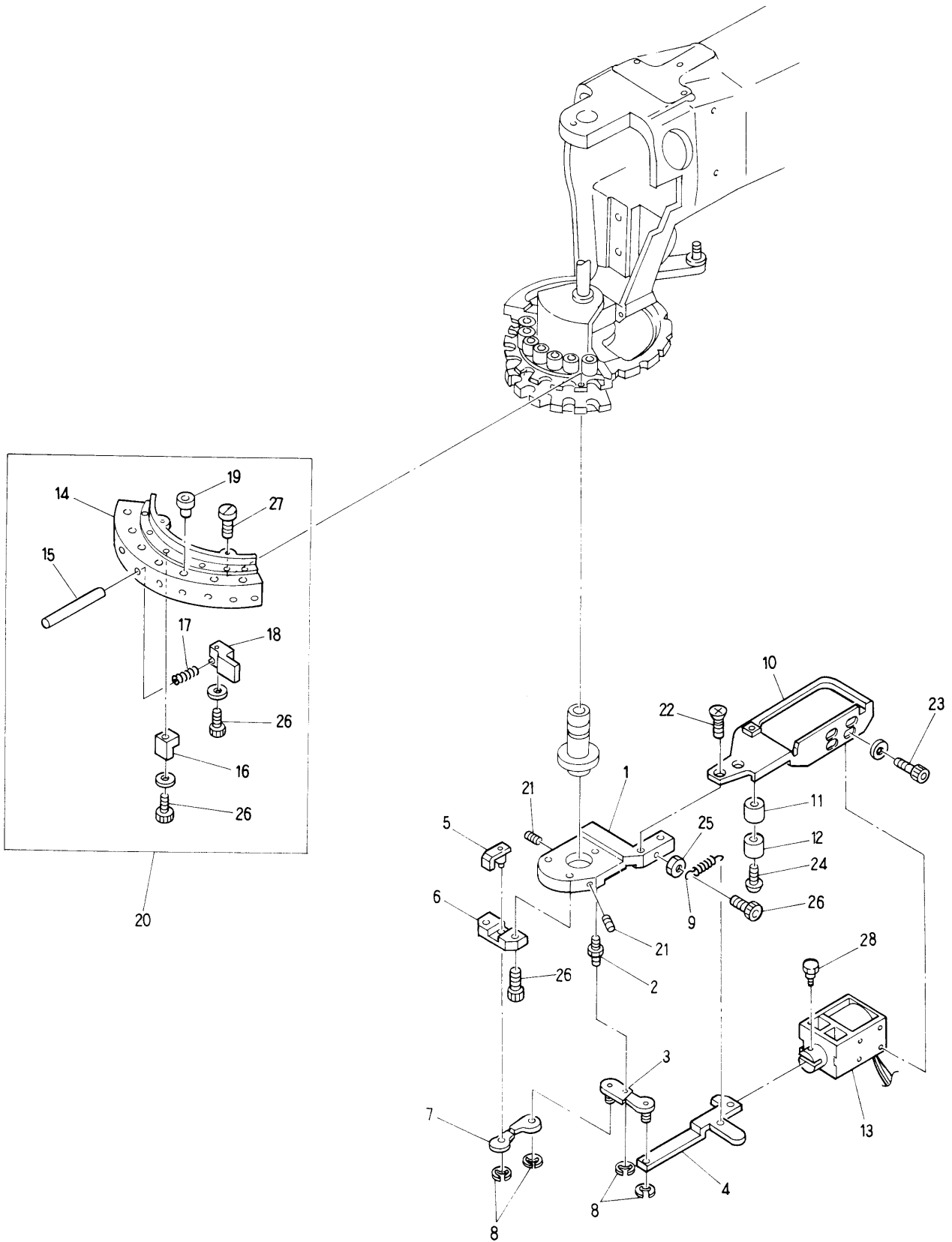
②③ Automatic thread cutting mechanism I (Thread cutting section) (H=Head Q'TY)

ITEM	LIST No.	DESCRIPTION	Q'TY	REMARK
1	A9056012	Rotary solenoid (3EL25 33×3×8×9)	1/H	
2	A9056008	Rotary solenoid (3ER25 33×3×8×9)	1/H	
3	KC271960	Solenoid stay	1/H	
4	KN271651	Stopper eccentric	2/H	
5	KN271661	Eccentric cover	2/H	
6	KC271950	Solenoid lever B	1/H	
7	KC271940	Solenoid lever A	1/H	
8	KC270360	Driving rope	1/H	
9	KC271041	Connecting clamp	1/H	
10	KC271031	Hook driving rod	1/H	
11	KC271021	Hook	1/H	
12	KC271001	Needle knife turret shaft	1/H	
13	KL270380	Throat plate	1/H	
14	KC270960	Fixed knife	1/H	
15	KN271220	Lower thread support stay (Upper) CMP	1/H	
16	KN271190	Lower thread support stay (Upper) CMP	1/H	
17		Hex, nut M4		
18		Screw M3×3		
19	KC270980	Fixed knife set screw	1/H	
20	KC270950	Lower thread cutting knife	1/H	
21	A9013045	Wave washer (WW5)	1/H	
22	KC270970	Lower thread knife turret shaft	1/H	
23	KC220642	Rotating hook bobbin case holder position bracket	1/H	
24		Hex, socket bolt M3×5		
25	KB270020	Upper thread knife	1/H	
26	A9012007	Screw	1/H	
27	A9012114	DU Bush (MB0505-10FDU)	2/H	
28	KC271120	Lower thread knife driving lever (Upper)	1/H	
29	KC271070	Lower thread knife driving rod	1/H	
30	KC271130	Lower thread knife driving lever (Lower)	1/H	
31	KF230640	Lock connecting bar clamp	1/H	
32		Hex, socket button bolt M3×6		
33		Hex, socket bolt M4×18		
34		Pan screw M3×3		
35	KL270390	Throat plate a'ssy	1/H	
36		Hex, socket bolt M4×8		
37		Hex, nut M3		
38		Hex. socket bolt M4×10		



From the library of: Diamond Needle Corp

MODEL **BEMRME-YS**
BEMSME-YS
BEMXME-YS



MODEL
BEMRME-YS
BEMSME-YS
BEMXME-YS

25 Automatic thread cutting mechanismⅢ(Thread support section)

(H=Head Q'TY)

ITEM	LIST No.	DESCRIPTION	Q'TY	REMARK
1	KL270000	Fixing base	1/H	
2	KL270040	Lever turret pin	1/H	
3	KL270050	Solenoid lever	1/H	
4	KL270060	Lever connecting plate	1/H	
5	KL270020	Thread support slider	1/H	
6	KL270010	Slide base	1/H	
7	KL270030	Driving plate	1/H	
8	A9012056	E-Ring $\phi 3$	1/H	
9	KL270520	Return spring	1/H	
10	KL270070	Solenoid stay	1/H	
11	KL270150	Eccentric cover	1/H	
12	KL270140	Stopper eccentric	1/H	
13	A9056013	Keep solenoid (TDS-K10SL)	1/H	
14	KC270283	Thread support apron (5)	1/H	YF
	KG270282	Thread support apron (7)	1/H	YS
15	KG270310	Thread support shaft		YS...7/H YF...5/H
16	KC270292	Thread support block		YS...7/H YF...5/H
17	KC270271	Support spring		YS...7/H YF...5/H
18	KC270301	Thread support clamp		YS...7/H YF...5/H
19	KF230580	Take up lever ceramic		YS...7/H YF...5/H
20	KC270761	Thread support apron UF a'ssy (5)	1/H	YF
	KG270760	Thread support apron UF a'ssy (7)	1/H	YS
21		Hex, socket set screw M4×8		
22		Flush screw M4×8		
23		Hex, socket bolt M3×6		
24		Truss screw M4×16		
25		Hex, nut M4		
26		Hex, socket bolt M4×10		
27		Screw (SM9/64 40×10)		
28	KC270101	Solenoid pin	1/H	

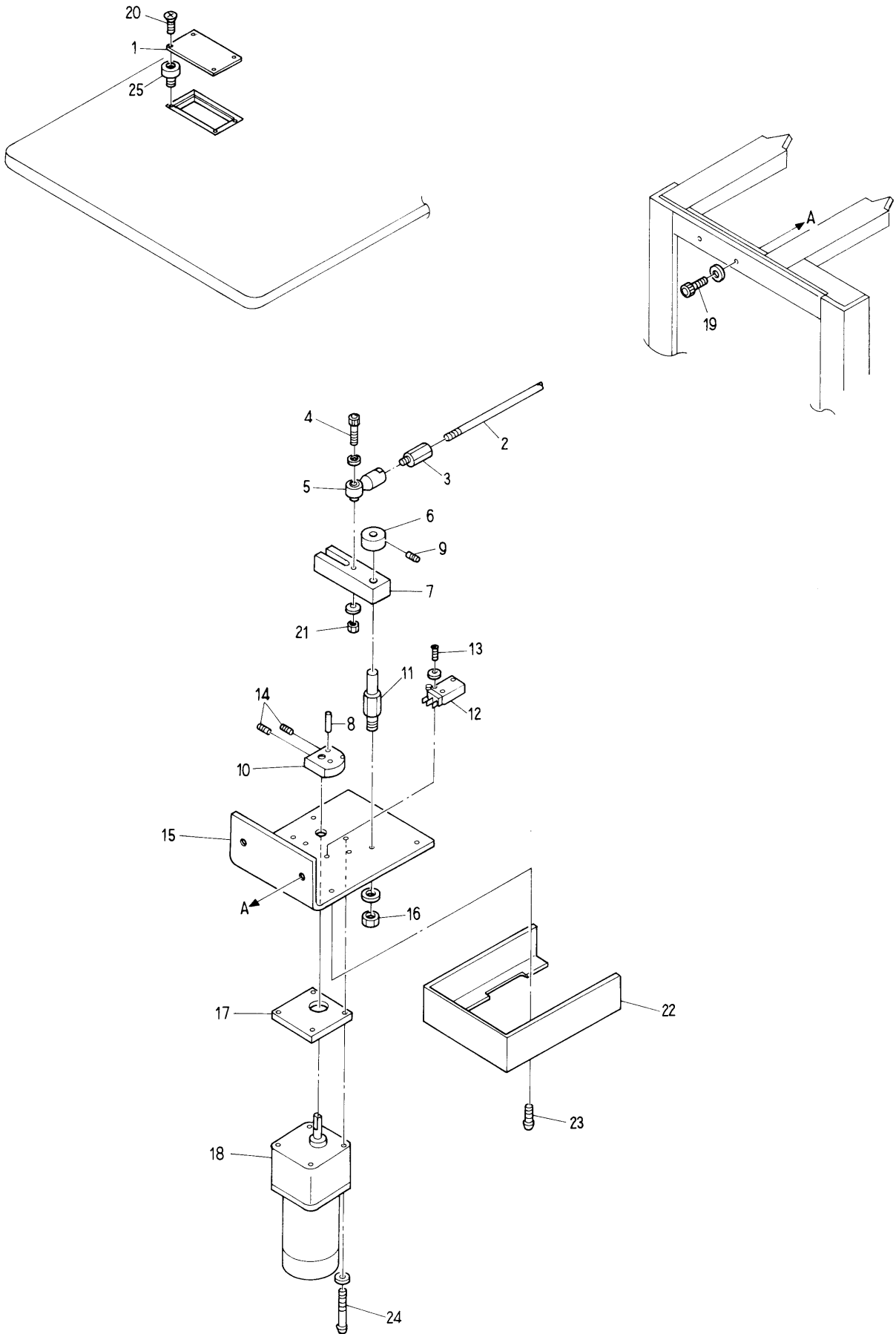
From the library of: Diamond Needle Corp

Barudan

②⑥

Automatic thread cutting mechanism IV

(Drive mechanism)



From the library of: Diamond Needle Corp

MODEL

BEMRME-YS
BEMSME-YS
BEMXME-YS

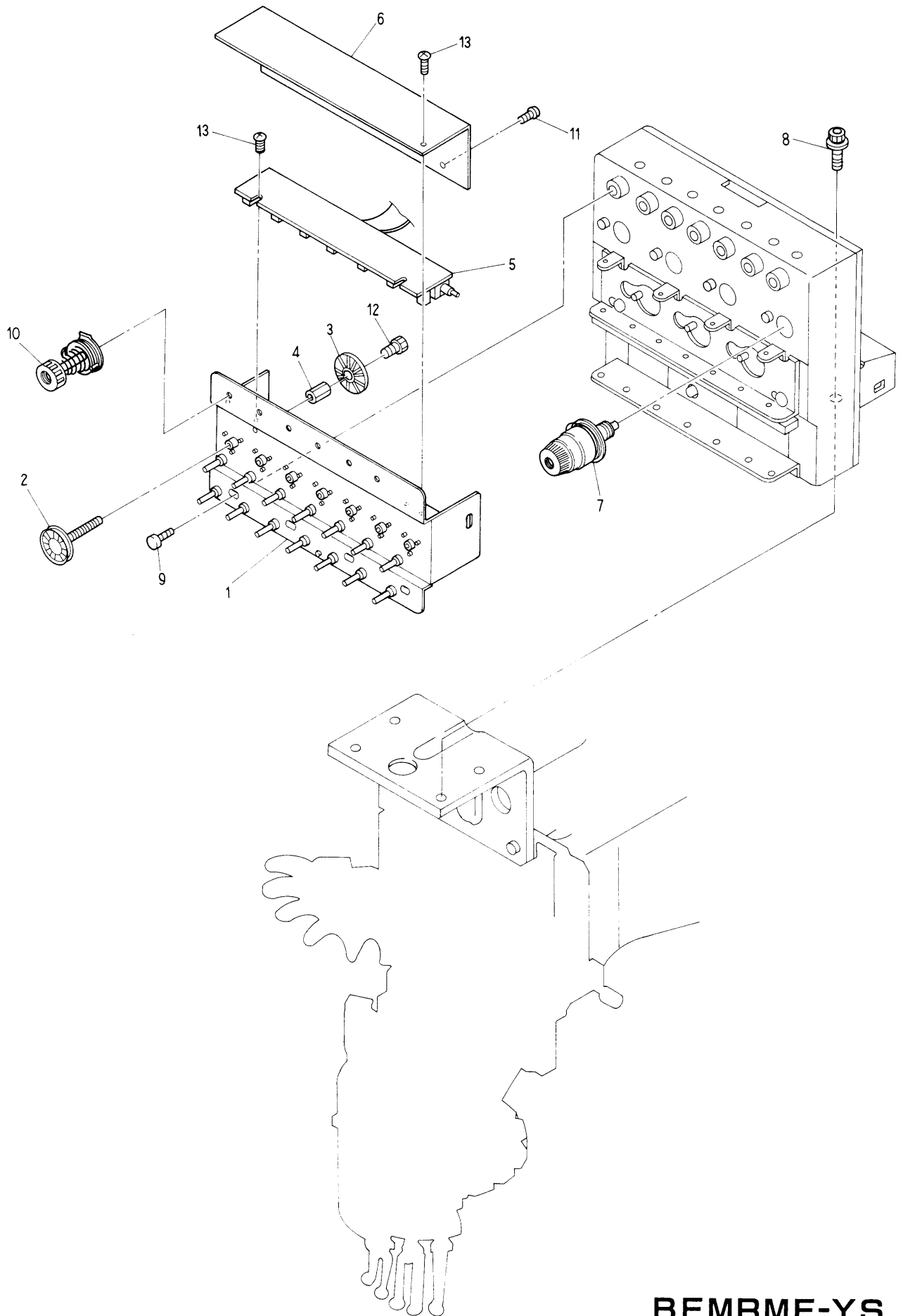
②⑥ Automatic thread cutting mechanismIV (Drive mechanism)

ITEM	LIST No.	DESCRIPTION	Q'TY	REMARK
1	KC271440	Drive service cover	1	
2	KC330410	Look connecting rod	2	
3	KC330510	Hex, connecting bar (L)	1	
4		Hex, socket M6×20		
5	A9012002	Uniball joint PR-6	1	
6	KC330180	Collar φ10	1	
7	KC271140	Motor lever	1	
8	KN272350	Drive pin	1	
9		Hex, socket screw M5×6		
10	KC271172	Drive cam	1	
11	KC271151	Motor lever turret shaft	1	
12	A9052005	Micro switch V-01L 2255	1	
13		Truss screw M3×15, M3×20		
14		Hex, socket set screw M5×8		
15	KC271162	Motor bracket	1	
16		Hex, nut M8		
17	KC271430	Motor spacer	1	
18	A9065026	Reversiblte motor RM H6A 8PEAA(6RH D36)	1	
19		Hex, socket bolt M8×30		
20		Screw M4×6		
21		Hex, nut M6		
22	KN271712	Motor bracket cover	1	
23		Truss screw M3×6		
24		Pan screw M5×65		
25		Nut (C) M4	4	

From the library of: Diamond Needle Corp

Barudan

②⑦ Thread guide mechanism
(Lower thread sensorium)



From the library of: Diamond Needle Corp

MODEL

BEMRME-YS
BEMSME-YS
BEMXME-YS

I N D E X

L I S T	No.	P A G E No.	I T E M	L I S T	No.	P A G E No.	I T E M
1AKK123804801		3	2	A 9 0 1 2 1 9 0		1 7	4
1BKK123804800		3	1	A 9 0 1 2 2 0 8		2 3	2 0
1FKK123804800		2 9	1	A 9 0 1 2 2 3 1		7	8
1 H P 1 2 3 0 0		4 9	1	A 9 0 1 2 2 5 0		7	6
1KKK123804800		3	3	A 9 0 1 2 2 5 5		7	1 1
1PKD12380480		9	2 7	A 9 0 1 2 2 5 9		3	1 4
1WKK123804800		2 9	2	A 9 0 1 2 2 6 3		3 3	8
A 9 0 1 0 0 1 7		9	5	A 9 0 1 2 2 6 4		3 1	2 7
A 9 0 1 0 0 3 6		3 1	1 7	A 9 0 1 2 2 6 6		5	8
A 9 0 1 1 0 1 7		2 7	4	A 9 0 1 2 2 9 1		1 5	1 7
A 9 0 1 1 0 2 1		1 3	7	A 9 0 1 3 0 4 5		5 1	2 1
A 9 0 1 1 0 2 1		1 5	2 1	A 9 0 1 3 0 4 5		5 3	1 8
A 9 0 1 1 0 2 2		1 5	2 3	A 9 0 1 4 0 5 1		1 9	1 9
A 9 0 1 1 0 2 3		1 5	2 0	A 9 0 1 4 0 6 3		9	3 8
A 9 0 1 1 1 0 7		7	7	A 9 0 2 0 0 9 8		3 5	2 0
A 9 0 1 1 1 1 0		3 5	9	A 9 0 2 0 0 9 8		3 7	2 0
A 9 0 1 1 1 1 0		3 7	9	A 9 0 2 0 0 9 8		3 9	1 4
A 9 0 1 1 1 1 0		4 1	1 0	A 9 0 2 0 0 9 8		4 1	1 6
A 9 0 1 1 1 1 5		1 7	9	A 9 0 2 0 2 0 0		2 7	1 6
A 9 0 1 1 1 3 1		3 1	2 3	A 9 0 5 2 0 0 5		5 7	1 2
A 9 0 1 1 1 3 2		3 1	2 5	A 9 0 5 2 0 2 4		3 7	1 5
A 9 0 1 1 1 5 2		1 3	6	A 9 0 5 2 0 2 4		3 9	3 4
A 9 0 1 2 0 0 1		2 3	1 3	A 9 0 5 2 0 2 8		5 3	1 1
A 9 0 1 2 0 0 2		2 5	8	A 9 0 5 2 0 3 0		3 7	2 5
A 9 0 1 2 0 0 2		5 7	5	A 9 0 5 2 0 3 0		3 9	2 0
A 9 0 1 2 0 0 3		1 5	2 6	A 9 0 5 2 0 3 1		3 7	1 6
A 9 0 1 2 0 0 5		1 5	2 6	A 9 0 5 2 0 3 1		3 9	1 2
A 9 0 1 2 0 0 7		9	3 4	A 9 0 5 6 0 0 8		5 1	2
A 9 0 1 2 0 0 7		1 1	2 3	A 9 0 5 6 0 1 2		5 1	1
A 9 0 1 2 0 0 7		5 1	2 6	A 9 0 5 6 0 1 3		5 5	1 3
A 9 0 1 2 0 0 7		5 9	9	A 9 0 5 6 0 1 8		5 3	1
A 9 0 1 2 0 2 7		1 1	1 6	A 9 0 5 6 0 2 0		1 9	6
A 9 0 1 2 0 5 1		1 9	2 0	A 9 0 6 5 0 2 6		5 7	1 8
A 9 0 1 2 0 5 2		3 5	6	A 9 0 6 5 0 3 5		2 3	2 7
A 9 0 1 2 0 5 2		3 7	6	E A Y 0 1 7 A 1		4 3	2 5
A 9 0 1 2 0 5 2		3 9	1 0	E A Y 0 2 1 A 2		4 3	2 6
A 9 0 1 2 0 5 2		4 1	2 5	E A Y 0 2 1 A 2		4 5	2 4
A 9 0 1 2 0 5 3		1 5	3 1	E A Y 0 2 1 A 3		4 3	2 2
A 9 0 1 2 0 5 6		5 5	8	E A Y 0 2 1 A 3		4 5	1
A 9 0 1 2 0 6 4		3 1	2 2	E A Y 0 2 1 A 3		4 5	2 5
A 9 0 1 2 1 1 4		5 1	2 7	E A Y 0 2 1 A 3		4 7	2 3
A 9 0 1 2 1 3 7		2 5	7	E A Y 0 2 2 A 3		4 3	2 2
A 9 0 1 2 1 4 3		2 5	5	E A Y 0 2 2 A 3		4 5	2 5
A 9 0 1 2 1 6 4		1 3	2 9	E A Y 0 2 2 A 3		4 7	2 3
A 9 0 1 2 1 6 4		3 1	2 4	E A Y 0 2 3 A 1		4 7	1

From the library of: Diamond Needle Corp

I N D E X

LIST	No.	PAGE No.	ITEM	LIST	No.	PAGE No.	ITEM
EBY 0 0 1 8 0		2 3	6	FR 9 2 3 0 0 2 9 0 A		3 1	1
EBY 0 0 4 5 0		4 3	1	HB 2 3 0 1 4 0		1 5	2 2
EBY 0 0 4 6 0		4 3	2	HB 2 3 0 1 6 0		1 3	2 0
EBY 0 0 4 7 0		4 3	3	HB 2 3 0 1 7 0		1 5	2 4
EBY 0 0 4 8 0		4 3	4	HB 2 3 0 2 7 0		1 3	2 1
EBY 0 0 4 9 0		4 3	5	HB 2 3 0 2 9 1		1 3	4
EBY 0 0 5 0 0		4 3	2 4	HB 2 3 0 3 1 0		1 3	1 5
EBY 0 0 5 1 0		4 3	1 1	HB 2 3 0 3 2 0		1 3	1 1
EBY 0 0 5 1 0		4 5	2 1	HB 2 3 0 3 3 1		1 3	1 2
EBY 0 0 5 1 0		4 7	1 1	HB 2 3 0 3 7 2		1 7	1 0
EBY 0 0 5 2 0		4 3	1 0	HB 2 3 0 3 8 2		1 7	5
EBY 0 0 5 2 0		4 5	2 0	HB 2 3 0 3 9 0		1 7	3
EBY 0 0 5 2 0		4 7	1 0	HB 2 3 0 4 0 1		1 7	1
EBY 0 0 5 3 0		4 3	8	HB 2 3 0 4 1 4		1 7	1 2
EBY 0 0 5 3 0		4 5	9	HB 2 3 0 4 2 0		1 7	1 1
EBY 0 0 5 3 0		4 7	7	HB 2 3 0 4 3 1		1 5	1 8
EBY 0 0 5 4 0		4 3	7	HB 2 3 0 4 4 1		1 5	1 8
EBY 0 0 5 4 0		4 5	8	HB 2 3 0 4 6 0		1 9	5
EBY 0 0 5 4 0		4 7	5	HB 2 3 0 4 7 0		1 9	4
EBY 0 0 5 5 0		4 3	9	HB 2 3 0 5 0 2		1 5	2
EBY 0 0 5 5 0		4 5	1 0	HB 2 3 0 5 1 2		1 5	7
EBY 0 0 5 5 0		4 7	9	HB 2 3 0 5 3 1		1 5	4
EBY 0 0 5 6 0		4 3	1 2	HB 2 3 0 5 5 0		1 5	2 8
EBY 0 0 5 6 0		4 5	2 2	HB 2 3 0 5 6 0		1 9	7
EBY 0 0 5 6 0		4 7	2 0	HB 2 3 0 5 7 1		1 7	2 1
EBY 0 0 5 7 0		4 3	6	HB 2 3 0 5 8 0		1 9	1 3
EBY 0 0 5 7 0		4 5	7	HB 2 3 0 5 9 0		1 7	2
EBY 0 0 5 7 0		4 7	4	HB 2 3 0 6 0 1		1 5	1
EBY 0 0 6 3 0		4 3	2 1	HB 2 3 0 6 1 1		1 5	1
EBY 0 0 6 3 0		4 5	2 3	HB 2 3 0 6 5 0		1 3	3 5
EBY 0 0 6 3 0		4 7	2 1	HB 2 3 0 7 2 0		1 5	1 6
EBY 0 0 9 1 0		5 9	5	HB 2 3 0 7 5 0		1 3	2 2
EBY 0 0 9 2 0		5 9	5	HB 2 3 0 7 7 0		1 5	5
EBY 0 0 9 3 0		4 7	2	HB 2 3 0 7 8 0		1 5	6
EBY 0 0 9 4 0		4 5	4	HB 2 3 0 8 2 0		1 5	8
EBY 0 0 9 4 0		4 7	3	HB 2 4 0 0 2 0		1 9	1 4
EBY 0 0 9 5 0		4 5	5	HB 2 4 0 0 3 0		1 9	1 5
EBY 0 0 9 5 0		4 7	6	HB 2 4 0 0 4 0		1 9	9
EBY 0 0 9 7 0		4 5	3	HB 2 4 0 0 5 0		1 9	1 0
EBY 0 0 9 8 0		4 5	6	HB 2 4 0 0 7 0		1 9	1 8
EBY 0 0 9 9 0		4 5	2	HB 2 4 0 0 8 0		1 9	2 2
EBY 0 1 0 7 0		2 1	1 2	HB 2 4 0 0 9 0		1 9	2 1
EBY 0 2 1 A 2		4 7	2 2	HB 2 4 0 1 1 0		1 9	1 7
FR 6 0 0 5 2 8		3 1	2	HB 2 4 0 1 7 1		1 3	1 8
FR 6 0 0 5 2 9		3 1	3	HB 2 4 0 1 8 0		1 3	2

From the library of: Diamond Needle Corp

I N D E X

LIST No.	PAGE No.	ITEM	LIST No.	PAGE No.	ITEM
HB 2 4 0 2 6 0	2 1	1 1	HP 2 4 1 4 7 0	2 1	1 0
HB 2 4 0 2 7 0	2 1	1 1	HP 2 4 1 4 8 0	2 1	1 0
HB 2 4 0 2 8 0	1 3	1 8	HP 2 5 0 0 5 0	2 1	2 0
HB 2 4 0 2 9 0	1 3	2	HP 4 8 2 9 4 0	3 5	2 1
HB 2 4 0 3 1 0	1 9	8	HP 4 8 2 9 4 0	3 7	2 1
HB 2 4 0 3 3 0	1 9	1 2	HP 4 8 2 9 4 0	3 9	5
HB 2 4 0 3 4 0	1 9	1 1	HP 4 8 2 9 4 0	4 1	1 7
HB 5 4 0 0 4 0	5 9	1	HP 4 8 2 9 5 0	3 3	9
HB 5 4 0 0 5 0	5 9	1	HP 4 8 2 9 5 0	3 5	2 3
HB 5 4 0 0 6 0	5 9	6	HP 4 8 2 9 5 0	3 7	2 3
HB 5 4 0 0 7 0	5 9	6	HP 4 8 2 9 5 0	3 9	1 6
HH 1 2 0 9 0 0	4 9	7	HP 4 8 2 9 5 0	4 1	2 6
HH 3 2 0 5 5 0	2 7	2 7	HP 4 8 2 9 8 0	3 5	5
HH 4 8 1 9 0 0	3 5	1 5	HP 4 8 2 9 8 0	3 7	5
HH 4 8 1 9 0 0	4 1	1 2	HP 4 8 2 9 8 0	3 9	9
HH 4 8 1 9 3 1	3 5	1 6	HP 4 8 2 9 8 0	4 1	2 4
HH 4 8 1 9 3 1	4 1	1 5	HP 4 8 2 9 9 0	3 5	1 0
HH 4 8 1 9 7 0	3 5	1 2	HP 4 8 2 9 9 0	3 7	1 0
HH 4 8 1 9 7 0	3 7	1 2	HP 4 8 2 9 9 0	4 1	8
HH 4 8 1 9 7 0	4 1	1 1	HP 4 8 3 1 1 1	3 9	1 7
HH 4 8 1 9 8 0	3 5	1 1	HP 4 8 3 3 7 0	3 9	1 8
HH 4 8 1 9 8 0	3 7	1 1	HP 7 1 0 7 9 0	4 9	3
HH 4 8 1 9 9 1	3 5	3	HS 4 6 0 0 3 0	3 1	5
HH 4 8 1 9 9 1	3 7	3	HS 4 6 0 0 5 0	3 1	6
HH 4 8 1 9 9 1	3 9	7	HS 4 6 0 2 0 0	3 1	4
HH 4 8 1 9 9 1	4 1	2 2	HS 4 6 0 2 1 0	3 1	7
HH 4 8 2 1 1 0	3 5	4	HS 7 3 0 0 0 0	3 1	1 0
HH 4 8 2 1 1 0	3 7	4	KB 2 1 0 1 6 0	9	2 5
HH 4 8 2 1 1 0	3 9	8	KB 2 1 0 1 7 0	1 9	1
HH 4 8 2 1 1 0	4 1	2 3	KB 2 3 0 0 1 0	9	2 8
HP 2 3 1 3 9 0	9	1 3	KB 2 3 0 0 3 0	9	3 1
HP 2 4 1 1 1 2	2 1	6	KB 2 3 0 0 5 0	9	3 3
HP 2 4 1 1 2 2	2 1	6	KB 2 3 0 0 6 0	1 7	8
HP 2 4 1 1 5 0	2 1	2	KB 2 3 0 0 7 0	1 7	7
HP 2 4 1 1 6 0	2 1	7	KB 2 3 0 0 8 0	1 7	6
HP 2 4 1 1 7 0	2 1	3	KB 2 3 0 0 9 0	1 3	5
HP 2 4 1 1 8 0	2 1	3	KB 2 3 0 1 0 0	1 3	8
HP 2 4 1 3 7 1	2 1	8	KB 2 3 0 1 1 0	1 3	9
HP 2 4 1 3 8 1	2 1	8	KB 2 3 0 1 2 0	1 3	1 0
HP 2 4 1 4 1 0	2 1	1	KB 2 3 0 1 3 0	1 3	1 9
HP 2 4 1 4 3 0	4 9	4	KB 2 3 0 1 4 1	1 3	1 7
HP 2 4 1 4 3 0	5 9	1 0	KB 2 3 0 1 6 1	1 3	1
HP 2 4 1 4 4 0	2 1	5	KB 2 3 0 1 7 0	1 9	3
HP 2 4 1 4 5 0	2 1	4	KB 2 3 0 3 1 0	1 3	3 6
HP 2 4 1 4 6 0	2 1	4	KB 2 3 0 3 2 0	1 3	1 6

From the library of: Diamond Needle Corp

I N D E X

LIST No.	PAGE No.	ITEM	LIST No.	PAGE No.	ITEM
KB 2 4 0 0 1 0	1 3	1 4	KC 2 7 1 4 4 0	5 7	1
KB 2 4 0 0 2 1	1 3	3	KC 2 7 1 9 4 0	5 1	7
KB 2 4 0 0 3 0	1 9	2	KC 2 7 1 9 5 0	5 1	6
KB 2 4 0 0 4 0	1 9	1 6	KC 2 7 1 9 6 0	5 1	3
KB 2 4 0 0 5 1	2 1	1 3	KC 3 1 2 8 9 0	2 7	2 9
KB 2 4 0 0 6 0	2 1	1 6	KC 3 1 2 9 1 1	2 7	2 1
KB 2 4 0 0 7 0	2 1	1 6	KC 3 1 2 9 2 1	2 7	3 1
KB 2 4 0 1 0 0	2 1	1 5	KC 3 2 0 5 9 0	2 7	2 6
KB 2 5 0 0 2 0	2 1	1 7	KC 3 3 0 1 3 0	2 3	7
KB 2 5 0 0 3 0	2 1	1 8	KC 3 3 0 1 6 1	2 3	9
KB 2 5 0 0 4 0	2 1	1 9	KC 3 3 0 1 7 0	2 3	3
KB 2 5 0 0 5 0	2 1	2 1	KC 3 3 0 1 8 0	2 3	1 0
KB 2 5 0 0 6 0	2 1	2 2	KC 3 3 0 1 8 0	5 7	6
KB 2 7 0 0 2 0	5 1	2 5	KC 3 3 0 1 9 0	2 3	8
KC 1 1 0 9 1 0	3	9	KC 3 3 0 2 1 0	2 3	2 5
KC 1 1 0 9 7 0	4 9	8	KC 3 3 0 2 3 0	2 5	6
KC 2 2 0 2 1 0	1 1	1 9	KC 3 3 0 2 6 0	2 5	1 2
KC 2 2 0 6 4 2	5 1	2 3	KC 3 3 0 2 8 0	2 3	2
KC 2 2 0 6 5 0	1 1	1 5	KC 3 3 0 2 9 0	2 5	3
KC 2 5 0 4 7 1	1 1	1 7	KC 3 3 0 3 1 0 3 8 0	1 5	2 5
KC 2 5 0 4 8 2	1 1	1 8	KC 3 3 0 4 1 0	1 7	1 8
KC 2 5 1 3 3 0	9	4 2	KC 3 3 0 4 1 0	5 7	2
KC 2 7 0 1 0 1	5 5	2 8	KC 3 3 0 5 1 0	2 5	9
KC 2 7 0 2 7 1	5 5	1 7	KC 3 3 0 5 1 0	5 7	3
KC 2 7 0 2 8 3	5 5	1 4	KC 3 3 0 6 1 0	2 3	2 1
KC 2 7 0 2 9 2	5 5	1 6	KC 3 3 0 8 5 0	2 5	1 1
KC 2 7 0 3 0 1	5 5	1 8	KC 3 3 0 9 1 0	2 5	1 6
KC 2 7 0 3 6 0	5 1	8	KC 5 2 0 0 2 0	4 3	1 9
KC 2 7 0 7 6 1	5 5	2 0	KC 5 2 0 0 2 0	4 5	1 7
KC 2 7 0 9 5 0	5 1	2 0	KC 5 2 0 0 2 0	4 7	1 8
KC 2 7 0 9 6 0	5 1	1 4	KC 5 3 0 2 3 0	4 3	1 6
KC 2 7 0 9 7 0	5 1	2 2	KC 5 3 0 2 3 0	4 5	1 4
KC 2 7 0 9 8 0	5 1	1 9	KC 5 3 0 2 3 0	4 7	1 5
KC 2 7 1 0 0 1	5 1	1 2	KC 5 3 0 2 4 0	4 3	1 4
KC 2 7 1 0 2 1	5 1	1 1	KC 5 3 0 2 4 0	4 5	1 2
KC 2 7 1 0 3 1	5 1	1 0	KC 5 3 0 2 4 0	4 7	1 3
KC 2 7 1 0 4 1	5 1	9	KC 7 1 0 2 7 0	4 9	2 0
KC 2 7 1 0 7 0	5 1	2 9	KC 7 1 0 4 1 0	4 9	2 1
KC 2 7 1 1 2 0	5 1	2 8	KF 2 2 0 1 3 0	9	1 1
KC 2 7 1 1 3 0	5 1	3 0	KF 2 2 0 2 3 0	1 1	1 0
KC 2 7 1 1 4 0	5 7	7	KF 2 2 0 2 7 1	1 1	4
KC 2 7 1 1 5 1	5 7	1 1	KF 2 2 0 2 9 0	1 1	1 1
KC 2 7 1 1 6 2	5 7	1 5	KF 2 2 0 4 1 0	1 1	8
KC 2 7 1 1 7 2	5 7	1 0	KF 2 2 0 4 4 0	1 1	7
KC 2 7 1 4 3 0	5 7	1 7	KF 2 2 0 4 6 0	9	1 9

From the library of: Diamond Needle Corp

I N D E X

L I S T	No.	PAGE No.	ITEM	L I S T	No.	PAGE No.	ITEM
K F 2 2 0 4 7 0		1 1	1	K G 2 7 0 2 8 2		5 5	1 4
K F 2 2 0 4 8 0		1 1	1 3	K G 2 7 0 3 1 0		5 5	1 5
K F 2 2 0 7 5 0		1 1	9	K G 2 7 0 7 6 0		5 5	2 0
K F 2 3 0 2 3 0		1 5	1 2	K G 3 3 0 1 5 0		2 3	1 2
K F 2 3 0 2 4 0		1 5	1 3	K G 3 3 0 2 2 0		2 3	1 4
K F 2 3 0 2 5 0		1 5	1 4	K G 7 1 0 1 6 1		4 9	6
K F 2 3 0 3 6 0		2 3	1 7	K K 1 4 0 0 0 0		3	8
K F 2 3 0 4 2 0		9	3 0	K K 1 4 0 0 1 0		7	2
K F 2 3 0 5 0 0		1 3	1 3	K K 1 4 0 0 2 0		3	1 1
K F 2 3 0 5 8 0		5 5	1 9	K K 1 4 0 0 3 0		7	4
K F 2 3 0 6 3 0		1 7	1 4	K K 1 4 0 0 5 0		5	2
K F 2 3 0 6 3 0		2 5	2	K K 1 4 0 0 6 1		3	1 2
K F 2 3 0 6 4 0		1 7	1 6	K K 1 4 0 0 7 0		7	1
K F 2 3 0 6 4 0		5 1	3 1	K K 1 4 0 0 8 0		7	1 4
K F 2 3 0 6 5 0		1 7	1 5	K K 1 4 0 1 0 1		3	1 0
K F 2 3 0 6 6 1		1 7	1 9	K K 1 4 0 1 1 1		5	3
K F 2 3 0 6 7 0		1 7	2 0	K K 1 4 0 1 2 0		5	1
K F 2 3 0 9 1 0		1 5	1 9	K K 1 4 0 1 3 0		3 5	2 2
K F 2 3 0 9 2 0		1 5	1 0	K K 1 4 0 1 3 0		3 7	2 2
K F 2 3 0 9 3 0		1 5	1 1	K K 1 4 0 1 4 1		7	3
K F 2 4 0 9 0 0		4 9	2	K K 1 4 0 1 5 1		7	5
K F 2 5 0 9 0 0		1 1	2 1	K K 1 4 0 1 6 0		3	1 3
K F 3 3 0 3 8 1		1 5	2 7	K K 1 4 0 1 7 0		3	7
K F 3 3 0 3 8 1		1 7	1 7	K K 1 4 0 2 0 1		5	7
K F 5 3 0 1 1 1		4 3	1 5	K K 1 4 0 2 1 0		5	5
K F 5 3 0 1 1 1		4 5	1 3	K K 1 4 0 2 2 0		5	4
K F 5 3 0 1 1 1		4 7	1 4	K K 1 4 0 2 7 0		3	5
K F 5 3 0 1 2 0		4 3	1 5	K K 1 4 0 2 8 1		5	6
K F 5 3 0 1 2 0		4 5	1 3	K K 1 4 0 2 9 1		5	9
K F 5 3 0 1 2 0		4 7	1 4	K K 1 4 0 3 2 0		7	9
K F 5 3 0 1 5 0		4 3	1 7	K K 1 4 0 3 3 0		7	1 0
K F 5 3 0 1 5 0		4 5	1 5	K K 1 4 0 3 4 0		7	1 2
K F 5 3 0 1 5 0		4 7	1 6	K K 1 4 0 3 5 0		5	1 0
K F 5 3 0 1 6 0		4 3	1 3	K K 1 4 0 3 6 0		7	1 3
K F 5 3 0 1 6 0		4 5	1 1	K K 1 4 0 3 7 0		5	2 1
K F 5 3 0 1 6 0		4 7	1 2	K K 3 1 0 0 0 0		4 1	3
K F 5 3 0 1 7 0		4 3	2 3	K K 3 1 0 0 1 0		4 1	4
K F 5 3 0 1 7 0		4 5	1 9	K K 3 1 0 0 2 0		2 7	4 0
K F 5 3 0 1 7 0		4 7	8	K K 3 1 0 0 3 0		2 7	2
K F 7 1 0 2 8 0		4 9	9	K K 3 1 0 0 4 0		2 7	1 9
K F 7 1 0 3 0 0		4 9	5	K K 3 1 0 0 5 0		4 1	6
K F 7 1 0 4 1 0		4 9	2 1	K K 3 1 0 0 6 0		4 1	2
K G 2 3 0 0 2 0		1 5	9	K K 4 6 0 0 0 0		3 1	1 9
K G 2 3 0 6 1 0		2 5	1	K K 4 6 0 0 1 0		3 1	1 6
K G 2 5 0 0 1 0		2 1	2 0	K K 4 6 0 0 2 0		3 1	2 0

From the library of: Diamond Needle Corp

I N D E X

L I S T	No.	P A G E No.	ITEM	L I S T	No.	P A G E No.	ITEM
KK 4 6 0 0 3 1		3 1	1 8	KL 2 2 0 1 5 0		9	8
KK 4 6 0 0 4 0		3 1	1 4	KL 2 3 0 1 1 1		1 5	1 5
KK 4 6 0 0 5 0		3 1	9	KL 2 3 0 2 8 0		1 7	1 3
KK 4 6 0 0 6 1		3 1	1 1	KL 2 5 0 0 4 0		9	7
KK 4 6 0 0 7 0		3 1	1 2	KL 2 5 0 0 5 1		9	2 6
KK 4 6 0 0 8 0		3 1	1 5	KL 2 5 0 0 7 1		1 1	5
KK 4 6 0 0 9 0		3 1	1 3	KL 2 7 0 0 0 0		5 5	1
KK 4 6 0 1 2 0		3 1	2 1	KL 2 7 0 0 1 0		5 5	6
KK 4 6 0 1 3 0		3 1	8	KL 2 7 0 0 2 0		5 5	5
KK 4 6 0 1 4 0		3 1	2 6	KL 2 7 0 0 3 0		5 5	7
KK 4 7 0 0 0 0		3 5	1 9	KL 2 7 0 0 4 0		5 5	2
KK 4 8 0 0 0 0		2 9	3	KL 2 7 0 0 5 0		5 5	3
KK 4 8 0 0 1 0		3 5	1	KL 2 7 0 0 6 0		5 5	4
KK 4 8 0 0 1 0		3 7	1	KL 2 7 0 0 7 0		5 5	1 0
KK 4 8 0 0 2 0		4 1	1	KL 2 7 0 0 8 1		5 3	2
KK 4 8 0 0 3 0		3 9	1	KL 2 7 0 0 9 1		5 3	4
KK 4 8 0 0 4 0		3 3	3	KL 2 7 0 1 0 1		5 3	8
KK 4 8 0 0 5 0		3 3	5	KL 2 7 0 1 1 0		5 3	3
KK 4 8 0 0 7 0		3 3	1	KL 2 7 0 1 2 0		5 3	9
KK 4 8 0 1 0 0		2 9	4	KL 2 7 0 1 3 0		5 3	1 6
KK 4 8 0 1 1 0		3 9	1 5	KL 2 7 0 1 4 0		5 3	7
KK 4 8 0 1 2 0		3 3	7	KL 2 7 0 1 4 0		5 5	1 2
KK 4 8 0 1 3 0		3 3	4	KL 2 7 0 1 5 0		5 3	6
KK 4 8 0 1 4 0		3 3	2	KL 2 7 0 1 5 0		5 5	1 1
KK 4 8 0 1 4 0		3 5	1 3	KL 2 7 0 2 6 0		5 3	1 0
KK 4 8 0 1 4 0		3 7	1 3	KL 2 7 0 3 8 0		5 1	1 3
KK 4 8 0 1 6 1		3 3	6	KL 2 7 0 3 9 0		5 1	3 5
KK 4 8 0 9 0 0		2 9	5	KL 2 7 0 4 0 0		5 3	1 3
KL 2 1 0 1 1 3		1 1	6	KL 2 7 0 4 1 0		5 3	1 7
KL 2 1 0 1 4 0		9	1 7	KL 2 7 0 4 2 0		5 3	1 5
KL 2 2 0 0 0 0		9	1 6	KL 2 7 0 4 3 0		5 3	1 2
KL 2 2 0 0 1 0		9	2 4	KL 2 7 0 4 4 0		5 3	1 4
KL 2 2 0 0 2 0		9	2 9	KL 2 7 0 4 5 0		5 3	5
KL 2 2 0 0 3 0		9	1 5	KL 2 7 0 5 2 0		5 5	9
KL 2 2 0 0 4 0		9	6	KL 3 1 0 0 7 1		2 7	3 4
KL 2 2 0 0 5 0		9	2 1	KL 3 1 0 0 8 1		2 7	3 8
KL 2 2 0 0 6 0		1 1	2	KL 3 1 0 1 0 0		2 7	3 3
KL 2 2 0 0 7 0		1 1	1 2	KL 3 2 0 0 0 0		9	3 5
KL 2 2 0 0 8 0		9	1 2	KL 3 2 0 0 2 0		9	3 7
KL 2 2 0 0 9 0		9	4	KL 3 3 0 0 1 0		2 5	1 8
KL 2 2 0 1 0 0		9	1	KL 3 3 0 0 2 0		2 5	1 7
KL 2 2 0 1 2 0		1 1	2 0	KL 3 3 0 0 4 0		2 3	1 8
KL 2 2 0 1 3 0		9	1 4	KL 3 3 0 0 5 0		2 3	1 6
KL 2 2 0 1 4 0		9	2 0	KN 2 3 1 3 5 0		1 5	3
KL 2 2 0 1 4 0		1 1	3	KN 2 3 1 3 5 0		2 5	1 4

I N D E X

LIST No.	PAGE No.	ITEM	LIST No.	PAGE No.	ITEM
KN 2 7 1 1 9 0	5 1	1 6	KN 5 4 0 5 2 0	5 9	3
KN 2 7 1 2 2 0	5 1	1 5	KN 5 4 0 7 6 0	5 9	7
KN 2 7 1 6 5 1	5 1	4	KR 1 4 0 0 1 0	3	4
KN 2 7 1 6 6 1	5 1	5	KR 1 4 0 0 4 0	3	6
KN 2 7 1 7 1 2	5 7	2 2	KU 2 4 1 4 0 0	2 1	1 4
KN 2 7 2 3 5 0	5 7	8	KU 4 6 0 2 7 0	3 7	1 8
KN 3 1 0 0 0 0	2 7	1 1	KU 4 6 0 2 7 0	3 9	1 3
KN 3 1 0 0 1 0	2 7	1 5	KU 4 6 0 3 4 2	3 7	2 4
KN 3 1 0 0 5 0	2 7	8	MA 2 5 0 1 3 1	1 1	1 4
KN 3 1 2 8 1 0	2 7	1 7	MT 4 6 0 2 4 0	3 7	1 4
KN 3 1 2 8 2 0	2 7	2 4	MT 4 6 0 2 4 0	3 9	2 5
KN 3 1 2 9 4 0	2 7	5	WW 3 1 0 2 1 0	2 7	2 3
KN 3 1 3 6 7 0	2 7	1 0			
KN 3 1 5 1 1 0	2 7	1 3			
KN 3 1 5 1 3 0	2 7	7			
KN 3 3 0 1 3 0	2 5	1 5			
KN 3 3 0 2 4 0	2 5	1 0			
KN 3 3 0 2 5 0	2 5	4			
KN 3 3 2 0 1 0	2 5	1 3			
KN 4 5 0 3 0 0	3 7	1 7			
KN 4 5 0 3 0 0	3 9	1 1			
KN 4 5 0 3 1 1	3 9	1 9			
KN 4 7 0 1 5 1	3 5	1 4			
KN 4 7 0 1 6 1	4 1	1 3			
KN 4 8 0 0 6 1	3 5	7			
KN 4 8 0 0 6 1	3 7	7			
KN 4 8 0 0 6 1	3 9	3			
KN 4 8 0 0 6 1	4 1	1 9			
KN 4 8 2 0 0 0	3 5	2			
KN 4 8 2 0 0 0	3 7	2			
KN 4 8 2 0 0 0	3 9	6			
KN 4 8 2 0 0 0	4 1	2 1			
KN 4 8 2 0 1 0	3 5	8			
KN 4 8 2 0 1 0	3 7	8			
KN 4 8 3 4 2 0	3 9	2			
KN 4 8 3 4 2 0	4 1	2 0			
KN 4 8 3 4 5 0	3 9	4			
KN 4 8 3 4 5 0	4 1	1 8			
KN 4 9 0 1 2 1	4 1	9			
KN 4 9 0 1 3 0	4 1	7			
KN 4 9 0 1 4 0	4 1	5			
KN 4 9 0 1 5 0	4 1	1 4			
KN 5 1 1 0 2 0	2 7	2 8			
KN 5 4 0 5 0 0	5 9	2			
KN 5 4 0 5 1 0	5 9	4			

